


WHEELTRONIC LTD.

INSTALLATION and OPERATION MANUAL



14K SCISSOR LIFT

14605AF

14605AFM

**READ THIS INSTRUCTION MANUAL THOROUGHLY
BEFORE INSTALLING, OPERATING, SERVICING OR
MAINTAINING THE LIFT. SAVE THIS MANUAL.**


WHEELTRONIC LTD.

6500 MILLCREEK DRIVE,
MISSISSAUGA, ONTARIO L5N 2W6
TEL: 905-826-8600 * FAX: 905-826-7800

APR 2008 REV. - 6-3012

TABLE OF CONTENTS

1.0 SAFETY INSTRUCTIONS	3
2.0 SPECIFICATIONS	5
3.0 CONTENTS	6
3.1 Tools Required for Installation of Lift	6
4.0 INSTALLATION INSTRUCTIONS	7
4.1 Bay Layout	8
4.2 Unpacking the Lift	11
4.3 Hydraulic Connections	11
4.4 Bleeding Procedure	14
4.5 Proximity Sensor Connections/Adjustment	15
4.6 Electrical Connections	17
4.7 Proximity Sensor Adjustment	20
4.8 Level and Support	23
4.9 Anchoring Procedure	25
4.10 Grouting Procedure	26
4.11 Accessory Installation	27
5.0 LIFT OPERATION	28
5.1 Raising the Lift	28
5.2 Lowering the Lift	28
6.0 FINAL CHECK OF ASSEMBLED LIFT	29
7.0 OPERATION TEST WITH VEHICLE	30
8.0 RECOMMENDED MAINTENANCE	31
9.0 RECORD OF MAINTENANCE / TRAINING	32
10.0 SAFETY WARNING DECALS	33
11.0 PARTS LIST	34
11.1 Lift Assembly	34
11.2 Lift Assembly Parts List	35
11.3 Console Assembly	37
11.4 Powerpack Assembly	41
11.5 Powerpack Parts List	42
11.6 Hydraulic & Air Assembly	43
11.7 Line Routing Parts List	45

1.0 SAFETY INSTRUCTIONS

When using this lift, basic safety precautions should always be followed, including the following:



1. Read all instructions in this manual and on the lift thoroughly before installing, operating, servicing or maintaining the lift.
2. Inspect the lift DAILY. Do not operate if it malfunctions or problems have been encountered.
3. Never attempt to overload the lift. The manufacturer's rated capacity is shown on the identification label on side of the deck. Do not override the operating controls or safety devices.
4. Only trained and authorized personnel should operate the lift. Do not allow customers or bystanders to operate the lift or be in the lift area.



5. **CAUTION! Never work under the lift unless mechanical safety locks are engaged.**
6. Always keep the lift area free of obstruction and debris. Grease and oil spills should always be cleaned up immediately.
7. Never raise a vehicle with passengers inside.
8. Always chock vehicle wheels before raising or lowering the lift.
9. Before lowering check the area for any obstructions including people.
10. To protect against risk of fire, do not operate the lift in the vicinity of open containers of flammable liquids.
11. Adequate ventilation should be provided when working on internal combustion engines.
12. Never open hydraulic lines under pressure.

READ AND SAVE THESE INSTRUCTIONS

Installation shall be performed in accordance with ANSO/ALI ALIS, Safety Requirements for Installation and Service of Automotive Lifts.

For additional safety instructions regarding lifting, lift types, warning labels, preparing to lift, vehicle spotting, vehicle lifting, maintaining load stability, emergency procedures, vehicle lowering, lift limitations, lift maintenance, good shop practices, installation, operator training and owner/employer responsibilities, please refer to “Lifting It Right” (ALI/SM) and “Safety Tips” (ALI/ST).

For additional instruction on general requirements for lift operation, please refer to “Automotive Lift-Safety Requirements For Operation, Inspection and Maintenance” (ANSI/ALI ALOIM).



ATTENTION! This lift is intended for indoor installation only. It is prohibited to install this product outdoors. Operating environment temperature range should be 41 – 104 °F (5 – 40 °C). Failure to adhere will result in decertification, loss of warranty, and possible damage to the equipment.

SAFETY INSTRUCTIONS

If attachments, accessories or configuration modifying components that are located in the load path, affect operation of the lift, affect the lift electrical listing or affect intended vehicle accommodation are used on this lift and, if they are not certified for use on this lift, then the certification of this lift shall become null and void. Contact the participant for information pertaining to certified attachments, accessories or configuration modifying components.

www.autolift.org

©2007 by ALI, Inc.

ALI / WLSIAO1

+ 070126-Quadra-WLSIAO1

2.0 SPECIFICATIONS

Maximum Capacity:

14 000 lbs

6 363 kg

Overall Width:

94.5 Inches

2400 mm

Overall Length:

270 Inches

6858 mm

Maximum Raised Height:

72 inches

1829mm

Minimum Lowered Height:

10 Inches

254 mm

Lifting Time:

89 seconds at max. capacity

Power Requirements:

230V, 1 Ph, 60 Hz, 20A

Air Supply requirements:

90 to 120 psi

Shipping Weight:

4 870 lbs

2 209 kg

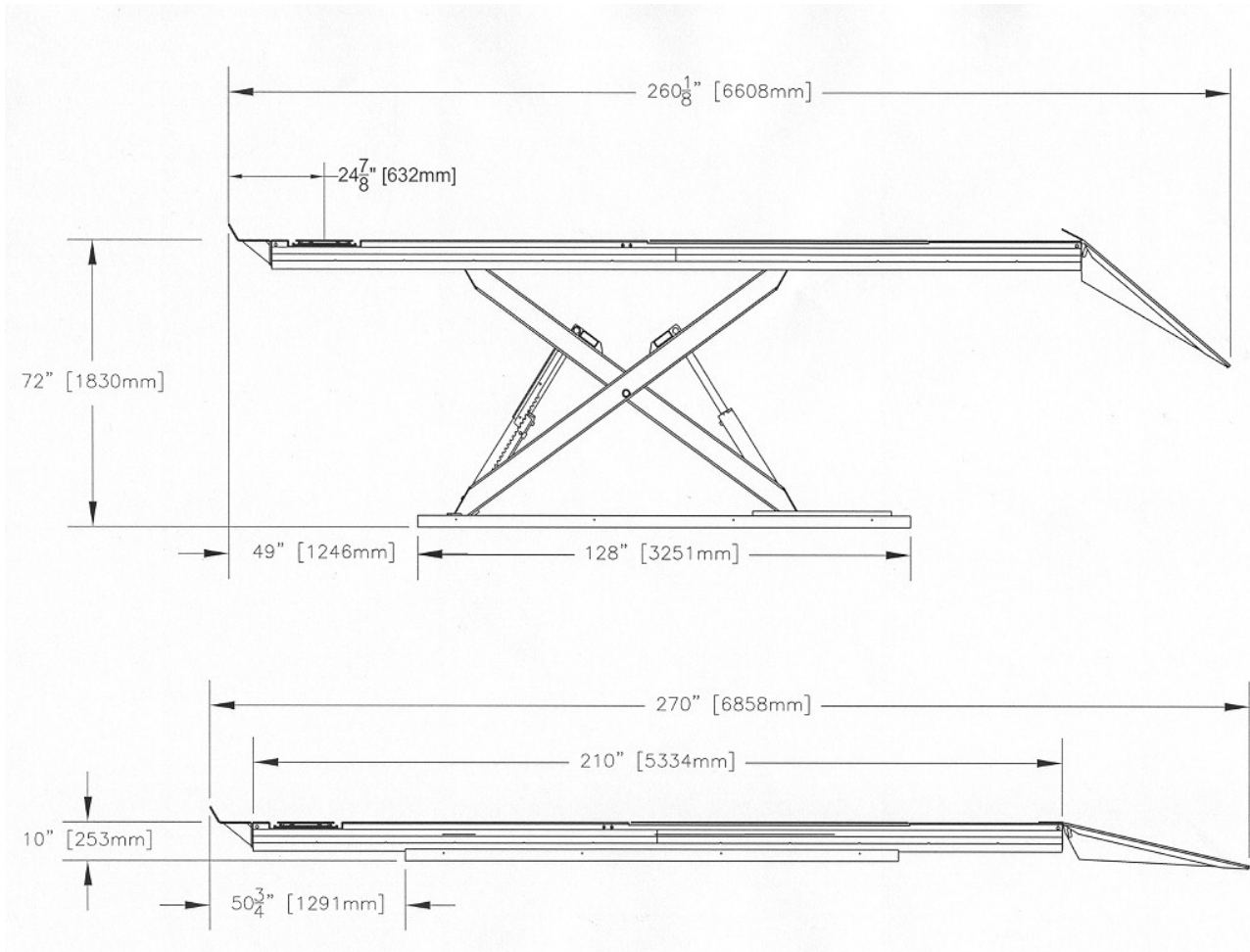


Figure 1 - Lift Dimensions

3.0 CONTENTS

The complete lift is contained in two (2) packages:

1. The main structural components are pre-assembled and packaged on top of each other.
2. The remaining parts, are packed in a console/accessory box. Refer to the packing slip inside the accessory box for a list contents.

Components include:

- 1pc. – Left Side Main Frame Assembly: Runway, Scissors and Base Frame
- 1pc. – Right Side Main Frame Assembly: Runway, Scissors and Base Frame
- 1pc. – Console and accessory box. (See accessory box list for contents)
- 1pc. – Grout container
- 1pc. – Customer care kit including manuals

3.1 Tools Required for Installation of Lift

- ✓ Rotary Hammer Drill or similar, 1/4” and 1/2” Concrete Drill Bits
- ✓ 4’ Level
- ✓ SAE Wrenches and Sockets
- ✓ Hammer
- ✓ Pry Bar – 5’ Long
- ✓ Chalk Line
- ✓ Tape Measure
- ✓ Side Cutters
- ✓ Screw Drivers
- ✓ Hydraulic Fluid ISO 32 (10 weight hydraulic oil) - 25 liters/5 Gallons
- ✓ Funnel
- ✓ Utility Knife

Recommended:

- ✓ Laser Leveler
- ✓ Plumb Bob
- ✓ Impact Gun
- ✓ Boom and/or Engine Hoist
- ✓ 8’ Sling

4.0 INSTALLATION INSTRUCTIONS

When the lift arrives on site, please read the owner's installation and operation manual completely. Check the contents to make sure no parts are missing before starting installation. Gather all of the tools listed and make sure that the instructions are fully understood before commencing with the installation.

IMPORTANT: It is the user's responsibility to provide a satisfactory installation area for the lift. Lifts should only be installed on a level concrete floor with a minimum thickness of five (5) inches or 130 mm. Concrete must have a minimum strength of 4000 psi or 30 MPa and should be aged thirty (30) days prior to installation. Please consult the architect, contractor or engineer if doubt exists as to the strength and feasibility of the floor to enable proper lift installation and operation.

IMPORTANT: It is the user's responsibility to provide all wiring for electrical hook-up prior to installation and to ensure that the electrical installation conforms to local building codes. Where required, it is the user's responsibility to provide an electrical isolation switch located in close proximity to the lift that will enable emergency stop capability and isolate electrical power from the lift for any servicing requirements.

4.1 Bay Layout

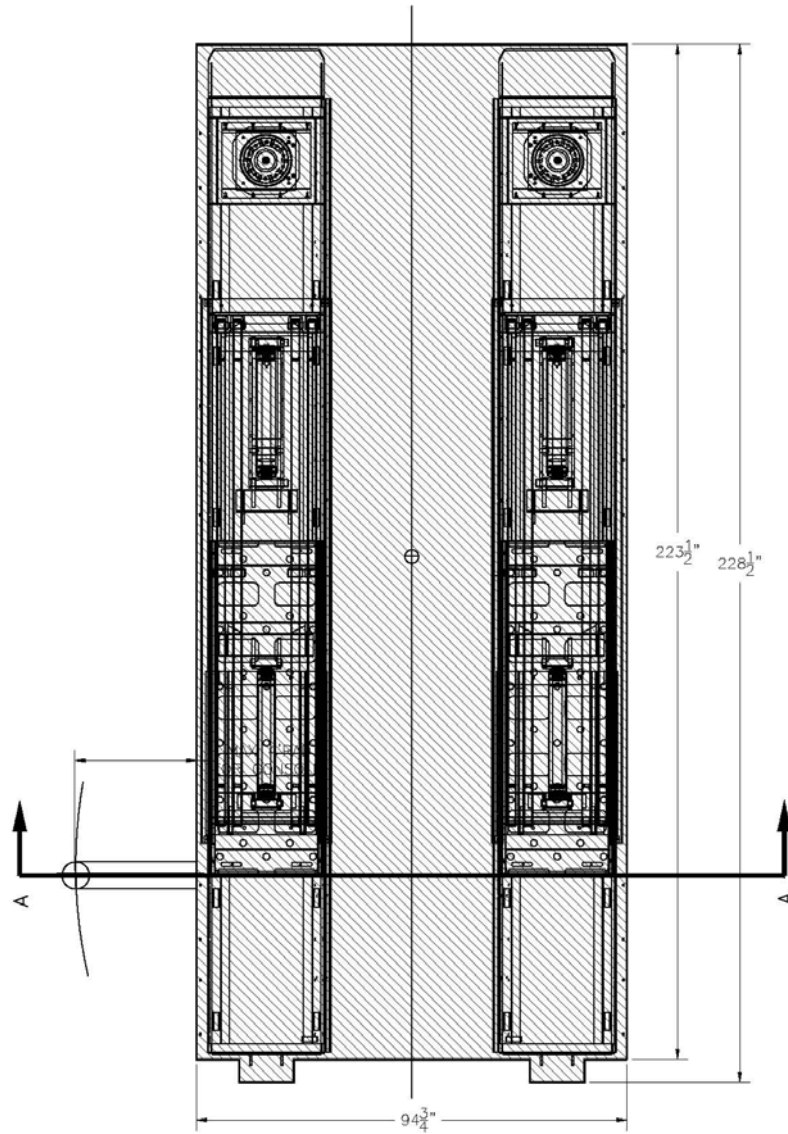
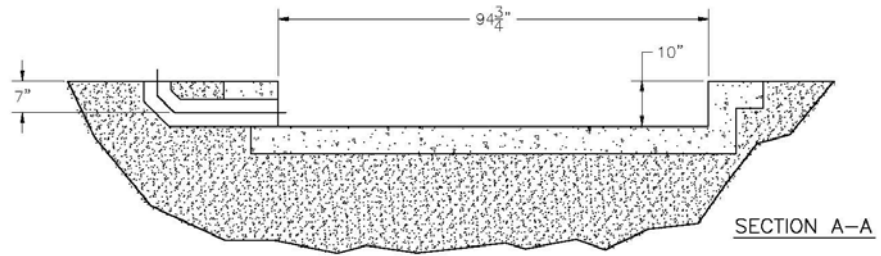


Figure 2 - Typical Bay Layout (Flush Mount)

NOTE: Leave any additional room for any desired aisle or work area. Recommended clearance around the lift is a minimum of three (3) feet. Ensure clearance conforms to local building and fire codes.

Recommended overhead clearance is a minimum of twelve (12) foot ceiling providing 6 feet for the maximum lift height and 6 feet for the supported vehicle. For vehicles taller than 6 feet it is recommended that the user provides additional overhead clearance or a shut off mechanism to stop the lift from raising the vehicle too high.

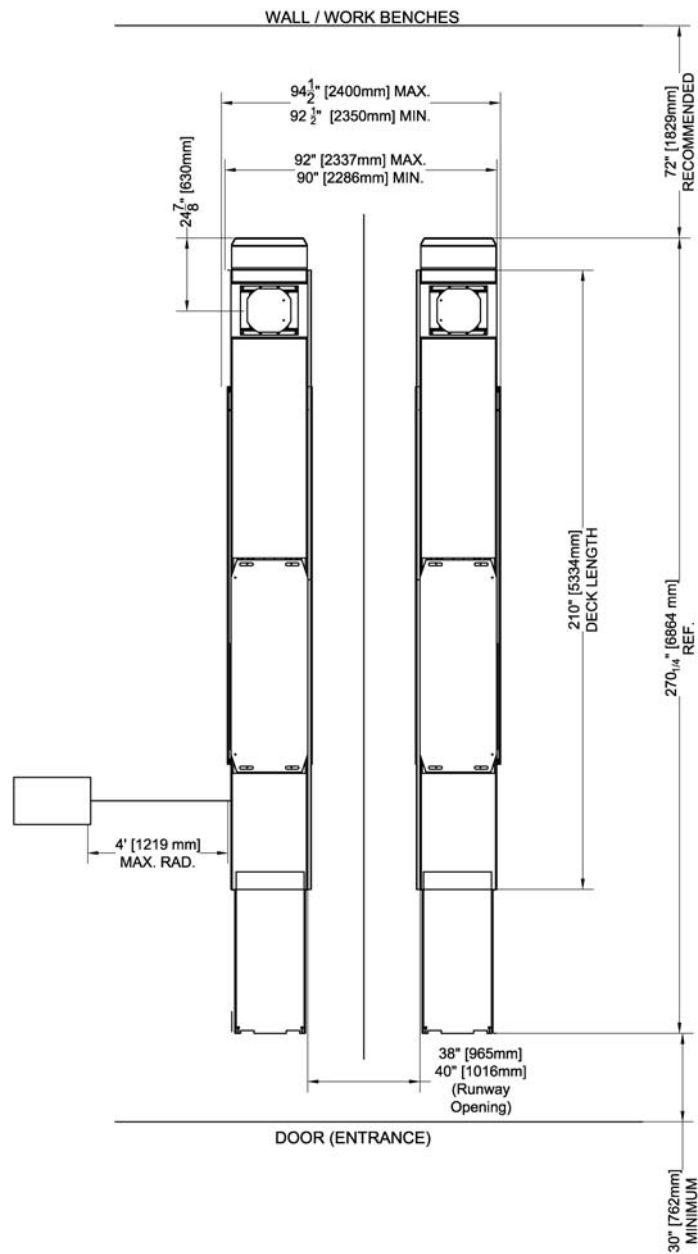


Figure 3 - Typical Bay Layout (Surface Mount)

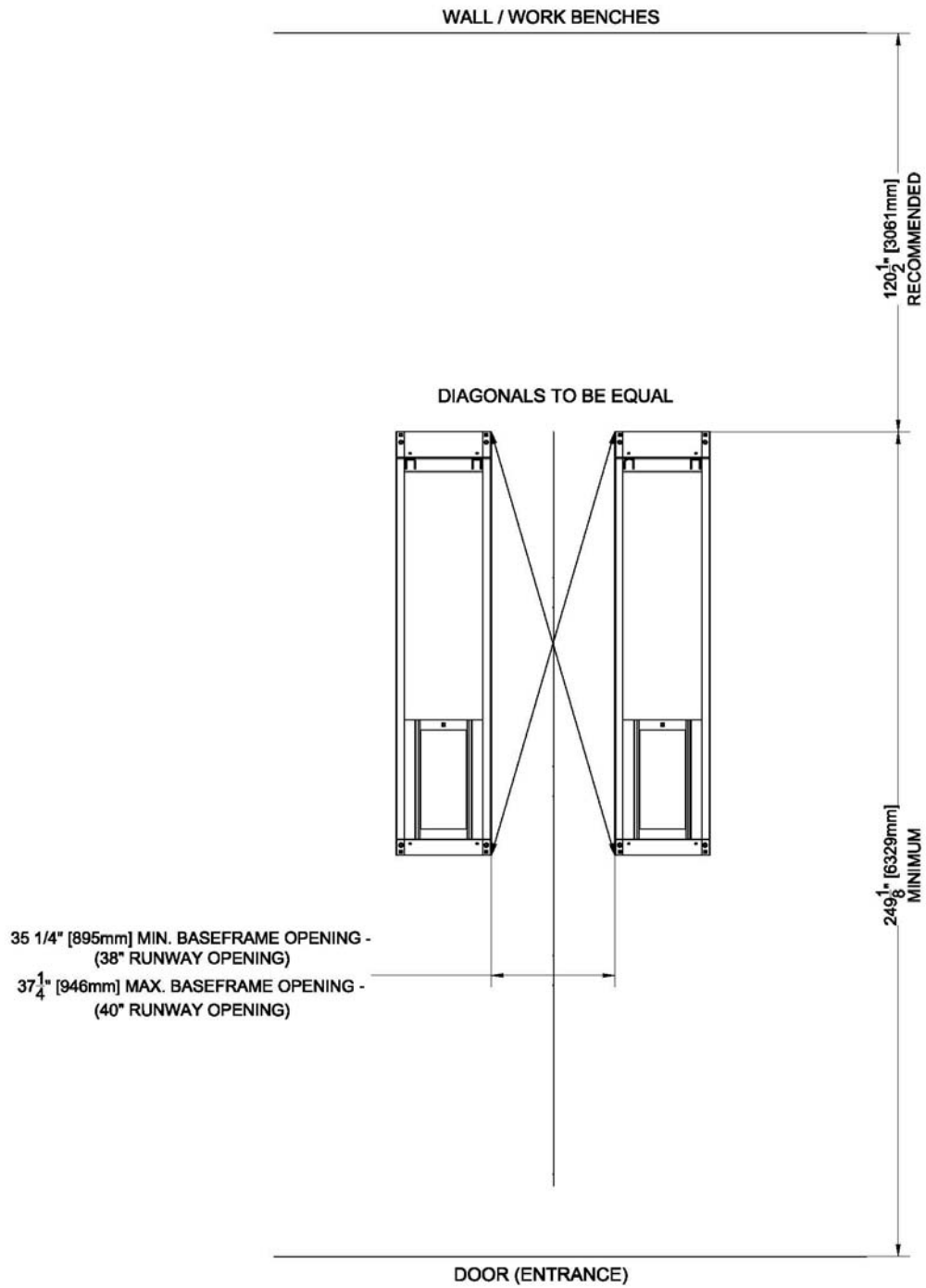


Figure 4 - Baseframe Locations

IMPORTANT: DO NOT CUT THE SHIPPING STRAPS HOLDING EACH MAIN FRAME ASSEMBLY TOGETHER UNTIL INSTRUCTED TO DO SO

1. With reference to Figure 3, the installer should locate the most suitable location in the shop for the lift.
2. Snap a chalk line for the centerline of the lift ensuring that it matches the centerline of the bay door.
3. Measure and snap two (2) parallel chalk lines on either side the centerline for the inside edges of the baseframes. Refer to **Figure 4** for the dimensions necessary to provide the desired width between the two runways. A distance of 35 ¼” (895mm) between the baseframes will provide the standard width of 38” between the inside of the runways.
4. Measure and snap a chalk line parallel to the shop door for the front of the baseframes, a minimum distance of 249 1/8” (6329mm) is recommended.
5. Before proceeding, ensure that once the runways are installed adequate workspace will remain in front of the lift. Refer to the minimum requirements listed in the installation and operation manual of any alignment equipment as needed.

4.2 Unpacking the Lift

1. Unpack the console and place it in the desired location at the rear of the lift. The console can be placed on either the left or right hand side of the lift.
2. Unpack the runways and lay each baseframe along the chalk lines. **Do not remove the individual strapping on the runways until they have been positioned on the chalk lines.** Ensure that the turnplate pockets are at the front, and that Jack Beam rails for each runway face each other.
3. Position the baseframes on chalk lines, and ensure that the runways are parallel. Before complete positioning of the last scissor be sure to remove the shipping tubes. Ensure that both the inside dimensions (front and back) of the baseframes as well as the diagonal distances are equal.
Remove the remaining packing straps, and remove the hydraulic hoses, polytube and proximity switch wires from under the deck. Hoses and wiring are located under the rear portion of the deck and are factory pre-installed – do not pull excessively on the hoses and wiring as it may strain the connections to the baseframe.

4.3 Hydraulic Connections

1. Open the front and rear access covers of the console.
2. Unravel all hoses, air lines, and sensor cables from each runway and connect the hydraulic lines as shown in **Figure 6**. Always make sure that the connections are clean to avoid contaminating the hydraulic system.
Do not kink hydraulic hoses or air lines save the caps from the hydraulic lines for capping other fittings mentioned in the next step.
3. The primary supply lines and equalizing lines from each runway are:

Left Side (L):	Right Side (R):
CL	RC
EQL	EQR
(“C” for “Cylinder” and “EQ” for “Equalize”)	

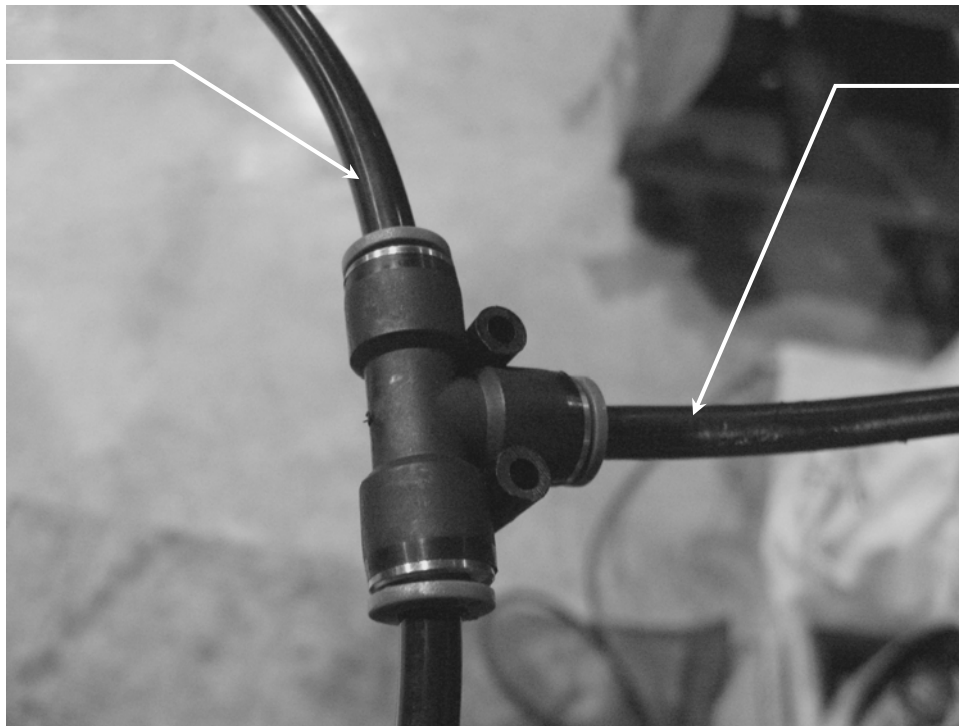
Only the cylinder hoses should be connected to their respective connections on the pump manifold, the equalizing hoses will be connected after the bleeding procedure.

Use caps to plug EQL and EQR fittings on the manifold. Do not over tighten hydraulic connections.

One supply line hose and one equalizing hose will be longer than the others and excess hose should be coiled inside the console and stored in the area below the reservoir.

4. At this point the bleeding procedure should be followed, **see Section 4.4.**
5. The 3/8" polytube return lines in the baseframes should be joined inside the console using a 3/8" "T" connector (**Figure 5**) from the hardware kit. To connect the "T" connector to the tank, cut off approximately 6" to 8" (152.4mm to 203.2mm) from either polytube supplied. Next, connect the other end of the tube to the pump connection marked T (Tank) **Figure 6.**)
6. The feed lines for the secondary cylinders are joined by connecting the hose from the left side baseframe (straight male fitting) to the hose on the right side baseframe (swivel female fitting). Repeat the process by connecting the hose from the right side baseframe (straight male fitting) to the hose on the left side baseframe (swivel female fitting).

Polytube supplied in the accessory box



Approx. 6" to 8" (152.4mm to 203.2mm), cut from any of the two polytubes supplied

Figure 5 - "T" Connector

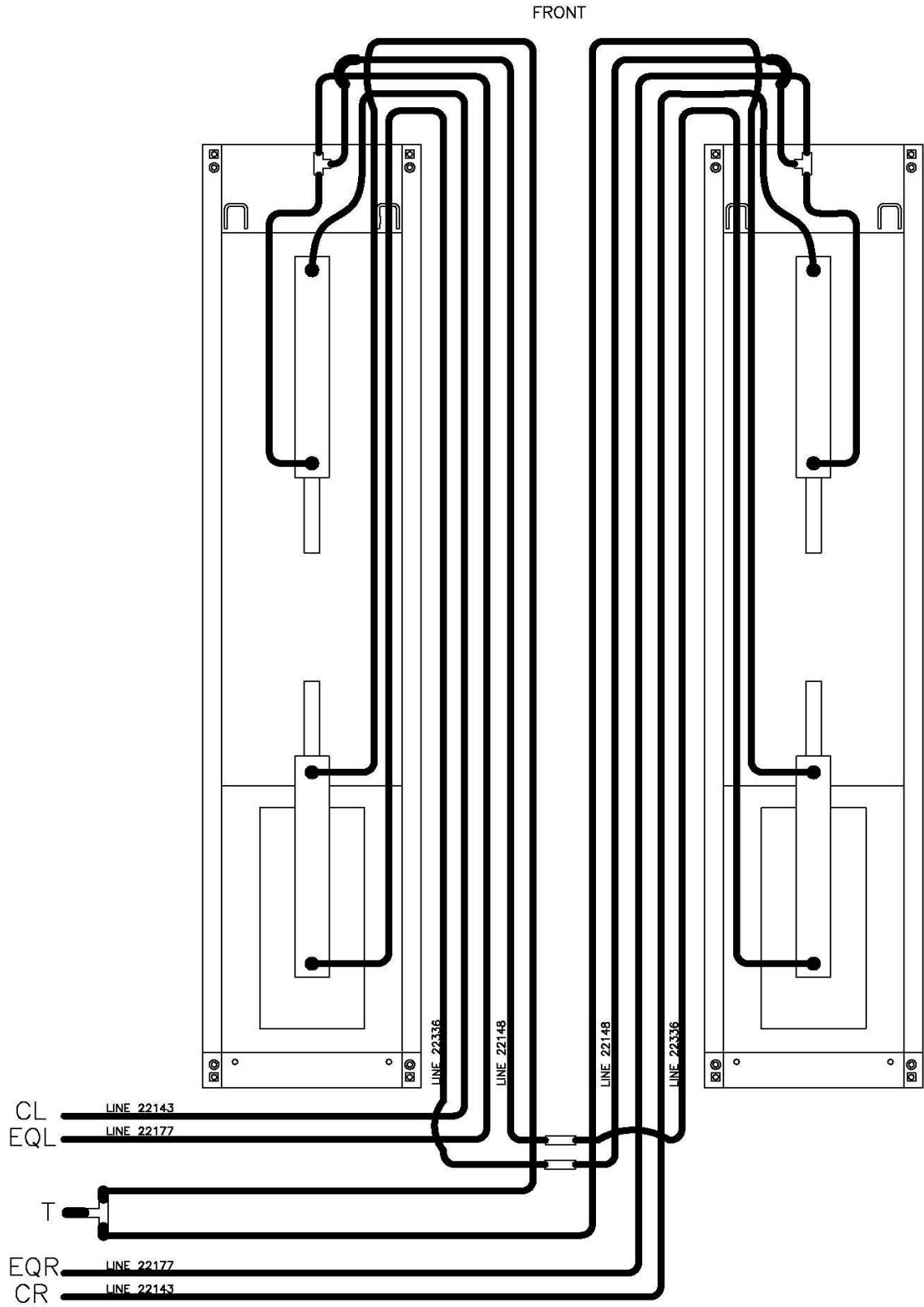


Figure 6 - Hydraulic Connections

4.4 Bleeding Procedure

1. Add hydraulic fluid to reservoir (ISO 32 10wt). Refer to manual for capacity.
2. Raise lift until shut-off using the “UP” button on the front of the console.
3. **RAISE THE LIFT ONTO THE LAST LOCKS:** In order to bleed the lift, the unit must rest on the last safety locks as shown in Figure 7. This is accomplished by using the “BYPASS” button located as shown in Figure 8. Monitor the pressure gauges. **DO NOT allow the pressure to build beyond 1500psi. If the pressure starts to rise past 1000psi, lower the unit onto the locks to relieve the pressure.**

IMPORTANT: The unit must be on the last locking position to bleed the lift.

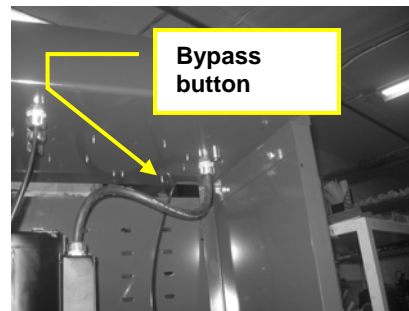
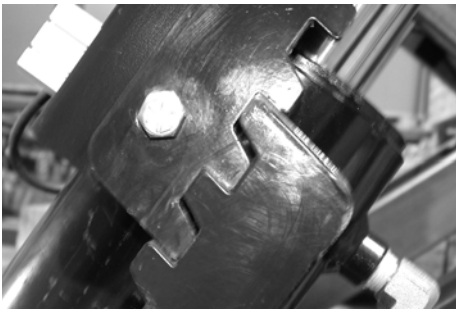


Figure 7-Safety lock position for bleeding. Figure 8- Location of bypass button.

4. **BLEED THE SYSTEM:** Once the lift is placed on the last safety position, remove the polytube return lines at the manifold and place them into a funnel over the reservoir. Press the bypass button until a clear stream of oil is flowing from the return lines. Release the bypass button and wait for 5 -10 seconds and continue to bleed. Repeat this “wait and bleed” procedure 5 times or until air is no longer visible in the return lines.
5. **RELEASE THE SAFETY LOCKS:** Place a rag or drip pan directly under the secondary cylinder and remove the 90 deg. push lock fittings on the top of the secondary cylinders (see Figure 3). Cap the port using the plugs provided. Raise the lift using the bypass button until the safety locks have disengaged.



WARNING! DO NOT BUILD PRESSURE OVER 1000PSI

Lower the lift to the next safety lock. Remove the plugs and reinstall the 90 deg push lock fittings. The lift is now bled.



Figure 9- Remove fitting.

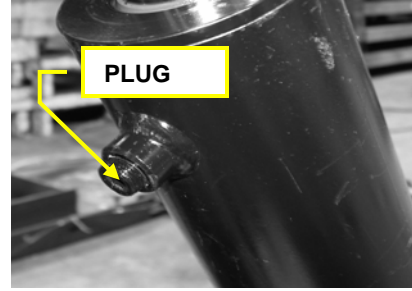


Figure 10- Cap port using plug provided.

4.5 Proximity Sensor Connections/Adjustment

There are three (3) proximity switches on this lift. Each runway is outfitted with an individual equalizing proximity switch mounted on a bracket located under the front of the runway. The third proximity switch, used for upper limit detection, is located at the pivot point on the right scissor.

Connect the proximity switches as shown in **Figure 12**.

NOTE: THE MICROPHONE CONNECTORS ARE LOCATED ON THE UNDERSIDE OF THE ELECTRICAL HOUSING LOCATED IN THE CONSOLE. THIS CAN BE ACCESSED BY REMOVING THE REAR OR FRONT CONSOLE COVER (View from front cover shown for clarity)

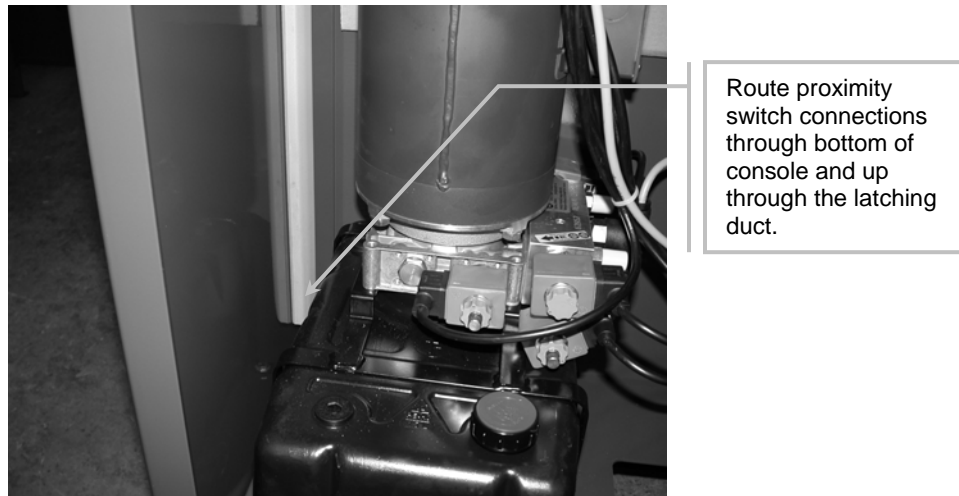


Figure 11 - Proxy switch latching duct location. (View from Front cover)

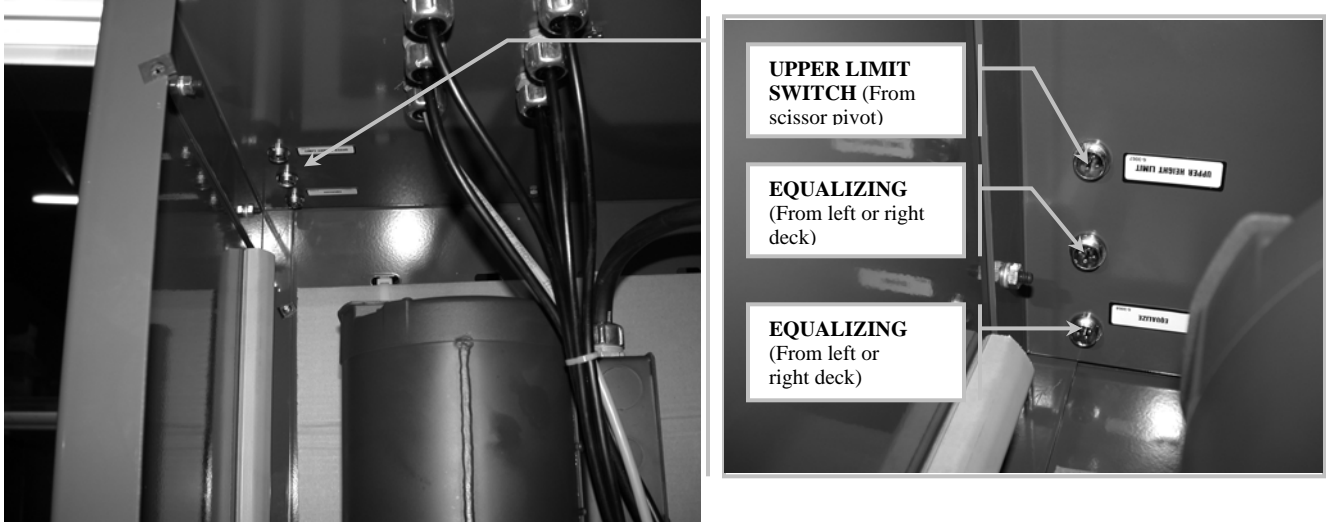


Figure 12 - Proxy switch connections. (View from Front cover)

4.6 Electrical Connections



DANGER! ENSURE THAT ELECTRICAL CONNECTIONS ARE COMPLETED BY A LICENSED ELECTRICIAN! ELECTRICAL SHOCKS CAN CAUSE SERIOUS INJURY OR EVEN DEATH.

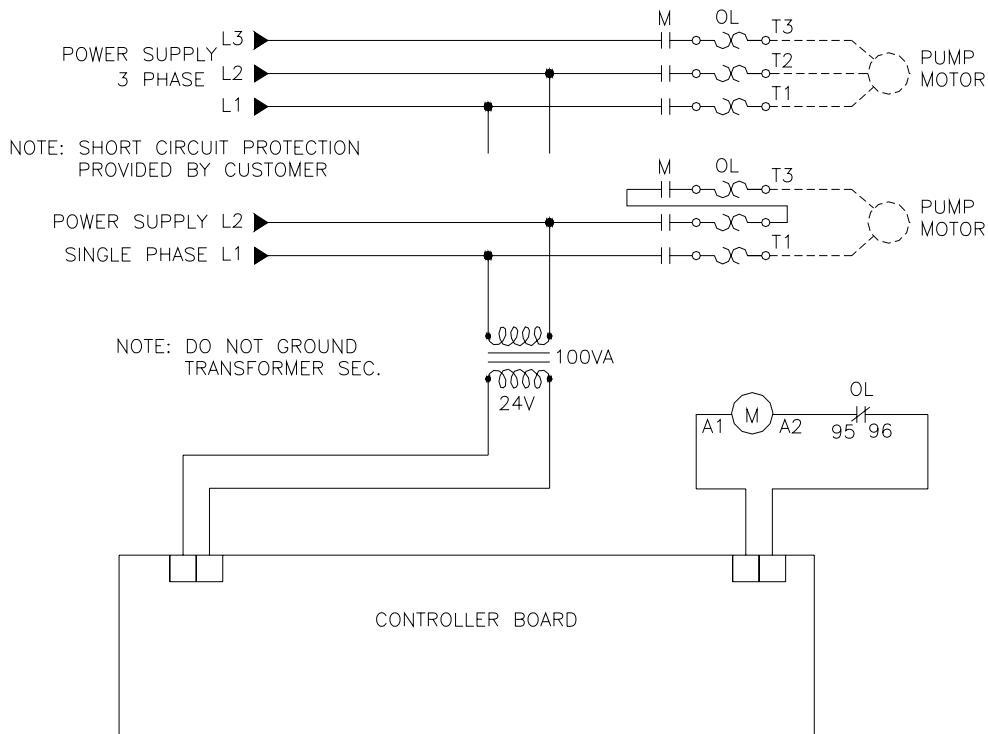


Figure 13 - Electrical Connections

NOTE: Overload fuse does not come with single phase power unit

NOTICE: FLUSH MOUNT

THIS APPARATUS IS INTRINSICALLY SAFE AND PROVIDES INTRINSICALLY SAFE CIRCUIT EXTENSIONS FOR USE IN CLASS I, DIVISION I, GROUPS C&D, HAZARDOUS (CLASSIFIED) LOCATIONS WHEN CONNECTED PER PANEL CONTROL DRAWING 2-2167.

NOTICE: SURFACE MOUNT

THIS APPARATUS IS NONINCENDIVE AND PROVIDES NONINCENDIVE
CIRCUIT EXTENSIONS FOR USE IN CLASS I, DIVISION 2, GROUPS C&D, T4
RATED, HAZARDOUS (CLASSIFIED) LOCATIONS WHEN CONNECTED PER
PANEL CONTROL DRAWING 2-2230.

NOTE: Optional Voltage and Phase power units will include separate wiring diagrams.

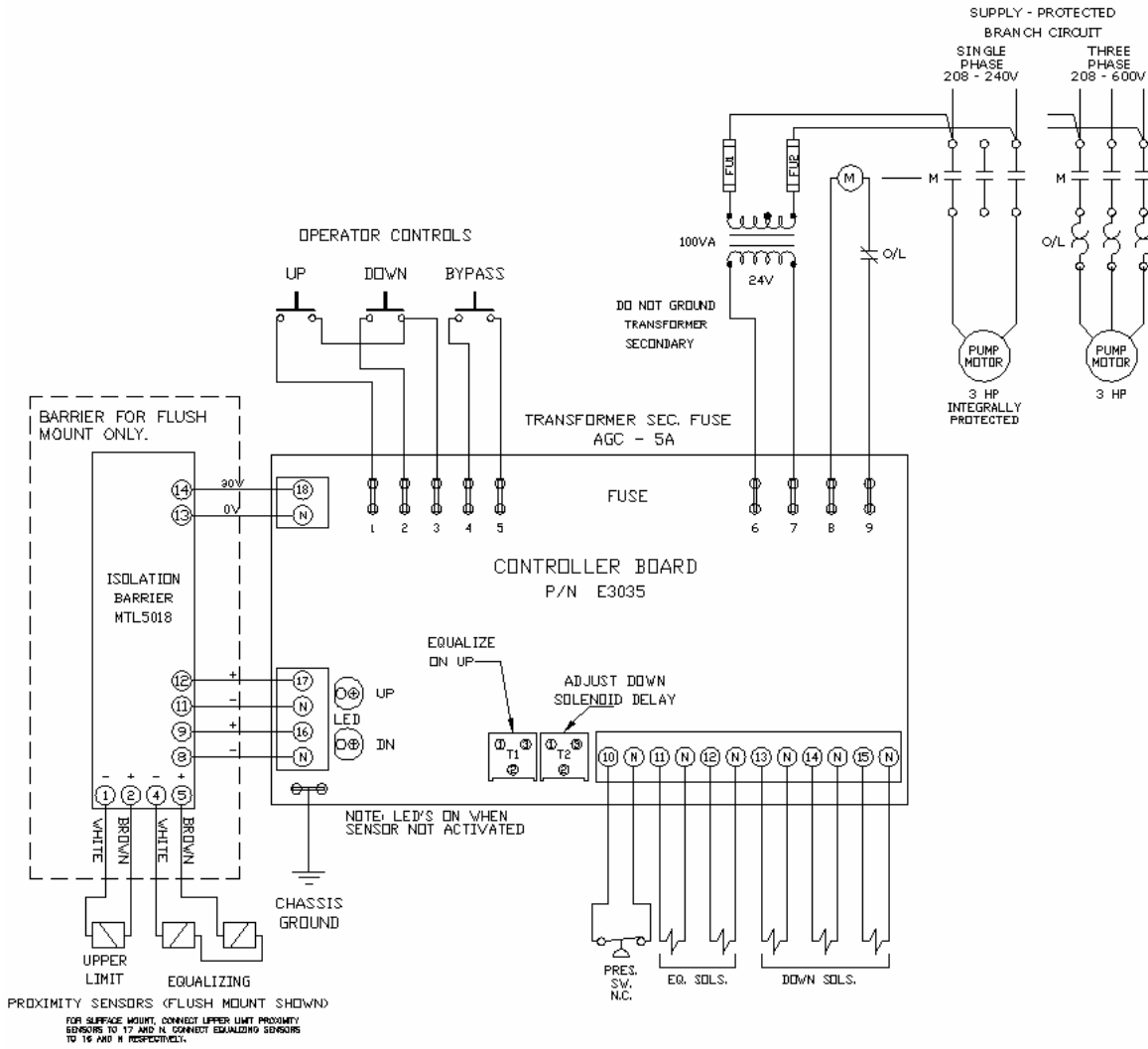


Figure 14 - Console Circuit Connections

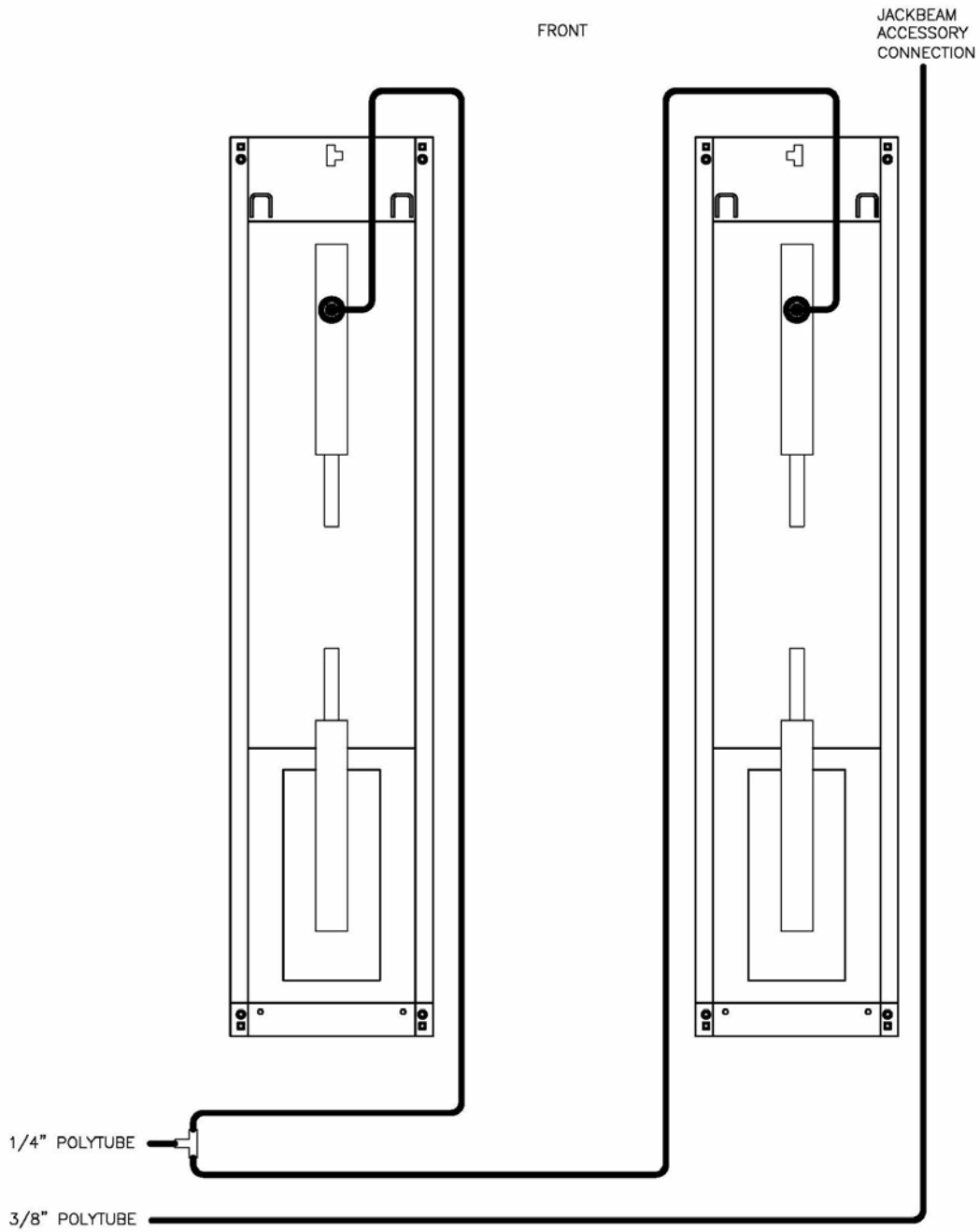


Figure 15 - Air Safety & Auxiliary Air Connections



WARNING! WEAR SAFETY GOGGLES AND PRACTICE CAUTION WHILE WORKING WITH COMPRESSED AIR.

4.7 Proximity Sensor Adjustment

a) UPPER LIMIT PROXIMITY SWITCH

LOCATION: Right side scissor at pivot point.



GAP BETWEEN
SENSOR AND PLATE
TO BE 2MM MAX
(0.0787" or approx.
5/64").
(CANNOT MAKE
CONTACT)

Figure 16 - Upper limit proximity sensor

1. Raise lift to full height by pressing the up button (do not press the by-pass button).
2. The limit switch (see Fig.16) should automatically stop the lift once the 72" working height (floor to top of runway) is reached. If necessary, an adjustment can be made by turning the cam towards the proximity switch.

NOTICE

The limit switch should never allow the working height to be above 72". If the automatic stop height is above 72", damage or failure of the hydraulic seals in the cylinder can occur.

3. If a stop height is desired that is below 72", adjust the sensor cam so that contact is made with the proximity sensor at the maximum desired working height.

b) EQUALIZING PROXIMITY SWITCH CHECK

LOCATION: Underside of the front section of each deck.



Figure 17 - Equalizing proximity sensor Under front of deck

The proximity switches are adjusted at the proper height prior to leaving the factory, however, if adjustment is required, use the following procedure.

PROXY CHECK:

To verify that the proximity switches are adjusted correctly, open the front panel on the console and locate the red led's shown in Figure 18. When the lift is fully lowered, these led's should light up for 3 – 5 seconds. If this does not occur, adjust the proximity switches as detailed below.

ADJUSTMENT:

CAUTION: BEFORE PROCEEDING, THE LIFT MUST BE LOWERED ONTO THE MECHANICAL SAFETY'S. WHEN THE PROXIMITY SWITCH SENSES METAL, THE LIFT WILL START TO DESCEND. PLACING THE LIFT ON THE MECHANICAL SAFETY'S WILL ENSURE A SAFE WORKING ENVIRONMENT.

1. Access to the underside of the deck is required to adjust the proximity switch. Raise the lift to a comfortable working height and lower it onto the mechanical safety locks. Press 'E' stop to make sure no power is going through and ensure no movement of the lift.

2. Remove the proxy sensing plate and bolt shown in **Figure 19**. In order to maintain the adjusted height of the runway, do not loosen any of the jam nuts. Loosen the bolt from the head as an assembly and use a measuring tape to get the correct dimension (see **Figure 20**).
3. Loosen the upper and lower jam nut retaining the proximity switch in place.
4. Place the bolt head against the mounting bracket so that the sensing plate is under the proximity switch. Adjust the upper jam nut until the proximity switch is approximately 2mm (0.0787" or approx. 5/64") above the sensing plate (see **Figure 20**)
5. Tighten the lower jam nut to secure the proximity switch.
6. Repeat this process for the next runway and check the function of the proximity switches as detailed above.

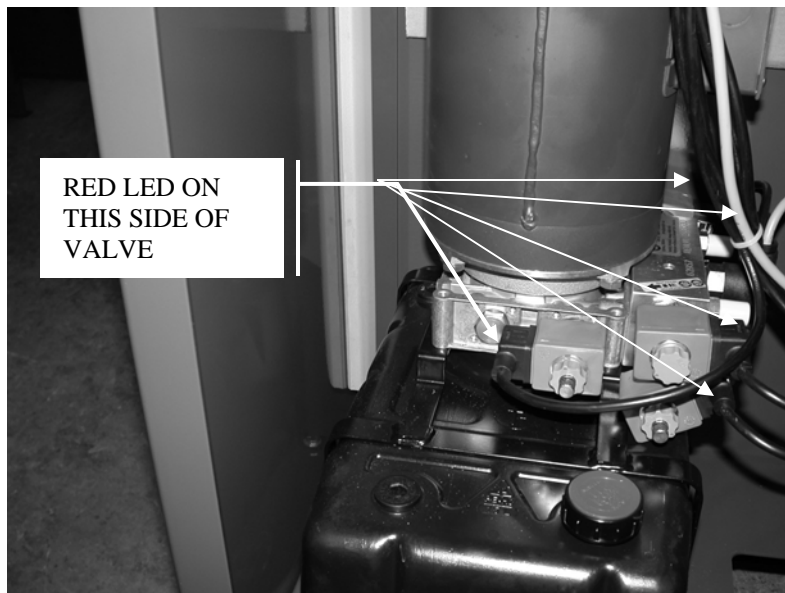


Figure 18 - Red Led located on solenoid (black) portion of valve. (View from front cover)



Figure 19 - Proxy sensing plate locate at the front of the baseframe

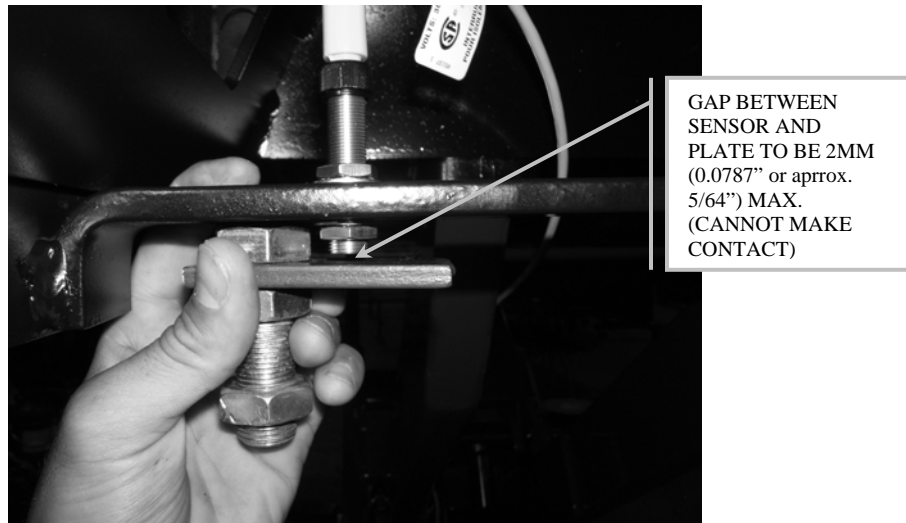


Figure 20- Adjusting the proxy sensing plate

4.8 Level and Support

NOTICE

CORRECT LEVELING IS IMPORTANT TO ENSURE THE PROPER OPERATION OF THE LIFT. TAKE PRECAUTIONS TO ENSURE ACCURATE LEVEL READINGS WHEN PERFORMING THIS PROCEDURE.

Side-to-side leveling measurements should be taken off the baseframe, and measurements should be taken on each baseframe as well as between the two baseframes. Front-to-back level measurements should be taken on the runways.

1. Press the up button and raise the lift to the fully extended operating position. Check the location of the baseframes compared to **Figure 4**, and make minor adjustments as required.
2. Level the baseframes using the 5/8" leveling bolts provided at each of the four (4) corners.
3. Use shims provided to support under glide block area of baseframe and under front hinges. See **Figure 21**.

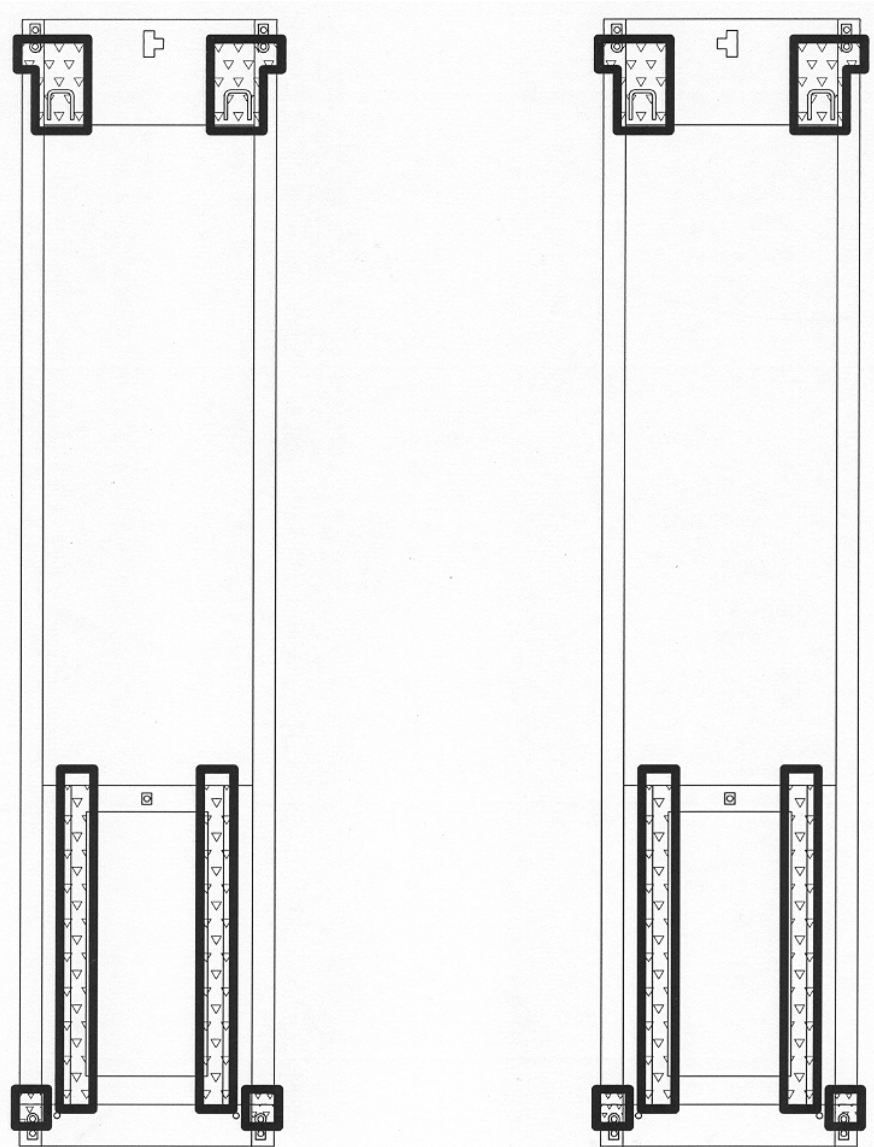


Figure 21 - Shimming

4. Verify that the baseframes are level side-to-side and that the runways are level front-to-back. The front turnplate and rear slip plate are the areas of interest. Check that the spacing between the runways is as desired, and that this spacing is equal at both the front and rear of the lift. Check that the diagonal measurements between opposite corners of the baseframes are equal. Lower and raise the lift and repeat these measurements.
5. Adjust the 3/4" support bolts on the four (4) corners of the baseframes to level the runway at fully collapsed position.
6. Once lift is level, back off 5/8" leveling bolts so that the base is firmly sitting on the shims. Re-check to make sure the lift is still level and shims are holding properly.

Note: These bolts must be removed once the shims are installed under the base correctly (same as the center bolt on the base).

4.9 Anchoring Procedure



CAUTION! WEAR SAFETY GOGGLES AND PRACTICE CAUTION WHILE DRILLING CONCRETE.

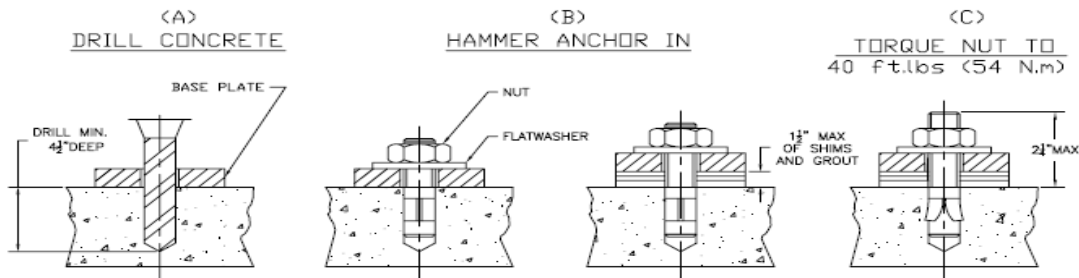


Figure 22 - Anchoring

1. Lower the lift and measure the distance between the Jackbeam rails at front and rear of the lift.
2. Raise the lift to full height and repeat the measurements, and ensure there are no differences.
3. Using a rotary hammer drill and a 1/2" concrete bit, drill through the floor at each of the six (6) anchor bolt locations on each of the base frames. Make sure that the 1/2" concrete drill bit is in good condition. Refer to **Figure 22**.
4. Assemble the nut and washer onto the 1/2" x 4 1/2" long wedge anchor bolts supplied. A minimum of six threads must be visible below the surface of the nut.
5. Clean out the drilling dust from the holes and hammer in the anchors until they make contact with the baseplate. **Hand tighten all anchor bolts.**
6. Torque all anchor bolts to 40 ft-lbs.
7. Position the console in the final desired location. Using a rotary hammer drill and a 1/4" concrete bit, drill and anchor the console to the floor using the Nail in Anchors located in the hardware kit.
8. Use the line covers to protect all cables, hoses, and wiring running to the lift. Using a rotary hammer drill and a 1/4" concrete bit, drill and anchor the line covers using the nail in anchors located in the hardware kit.

If anchor bolts do not tighten to 40 ft-lbs. OR project more than 2 1/4" above the concrete surface, the concrete should be replaced by an appropriate concrete pad. (Consult Product Manufacturer / Supplier for further details)

4.10 Grouting Procedure (Optional)

1. Pour grouting under the load area of each base frame as shown in **Figure 23**. Ensure that grout is evenly distributed under the frame and finish the edges with a 45 degree chamfer. Refer to specific grouting instructions on the package. Leave a drain area to allow any liquids to escape.
2. **GROUTING MUST FULLY CURE BEFORE PROCEEDING.** Do not operate the lift while grout is curing. Refer to instructions on the package for recommended cure times. [Non-Shrink Grout (3000psi min. in 24hrs, 7000psi min. in 30 days)]

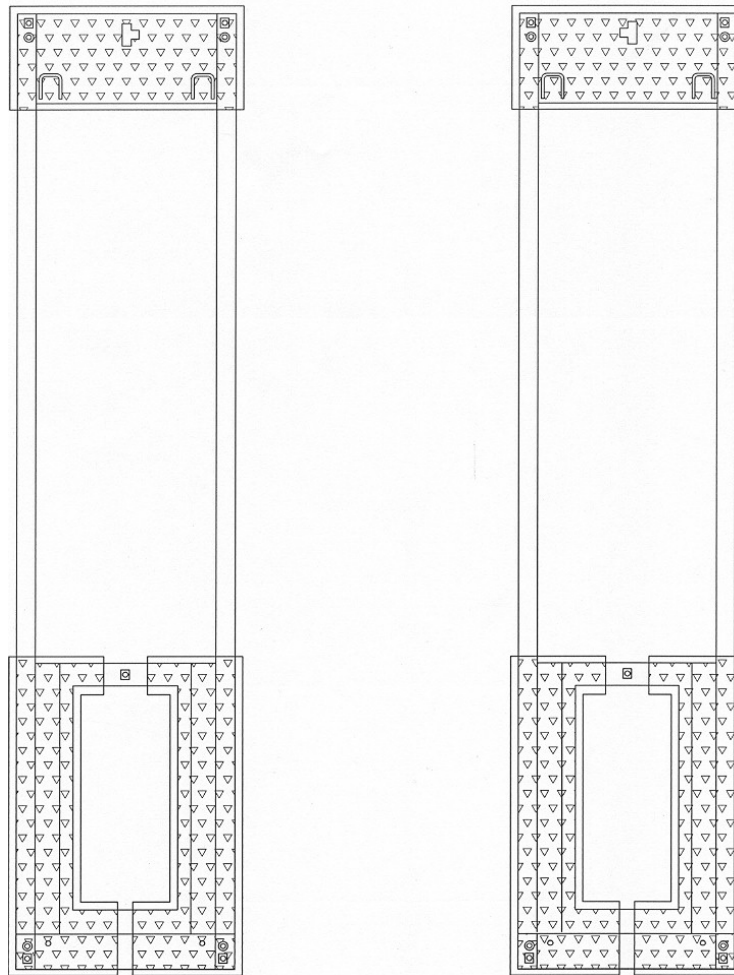


Figure 23 - Grouting Locations

4.11 Accessory Installation

1. Install the front Runway Stops located in the accessory box using the ½” Hex Bolts, Washers, Lockwashers, and Hex Nuts located in the hardware kit.
2. Install the rear approach ramps using the Approach Ramp Pins located in the accessory box, and the Flatwashers and Cotter Pins located in the hardware kit.
3. Install Jackbeams with reference to the Jackbeam user manual.



WARNING! THE RUNWAY STOPS ARE DESIGNED AS A SECONDARY MEANS TO RESTRAIN A VEHICLE FROM INADVERTENTLY ROOLING OFF THE RUNWAYS. PROPERTY DAMAGE AND PHYSICAL INJURIES MAY OCCUR IF THIS WARNING IS NOT ADHERED TO. INSPECT RUNWAY STOP FASTENERS MONTHLY.

WARNING! ENSURE WORKSTEP IS FULLY ENGAGED PRIOR TO USE. IF MORE THAN ONE WORKSTEP IS IN USE, DO NOT TRY TO STEP ACROSS OR JUMP FROM ONE STEP TO ANOTHER. NEVER USE THE WORKSTEP WHILE THE LIFT IS IN OPERATION. SERIOUS INJURY COULD RESULT FROM IMPROPER USAGE OF THE WORKSTEPS.

WARNING! WORKSTEP MAXIMUM CAPACITY IS 250 LBS.

WARNING! FOR FLUSHMOUNT INSTALLATIONS ENSURE WORKSTEP IS REMOVED BEFORE RAISING OR LOWERING THE LIFT.

4. Position the moveable workstep in the desired location. There are slots along the span of each runway where the workstep can be mounted. When not in use, the workstep can be stored under the front section of the runway.

5.0 LIFT OPERATION

5.1 Raising the Lift

1. If the lift is equipped with sliding Jack Beam(s), be sure that the Beam(s) are positioned at the front or mid travel of the lift, fully down, and with the risers removed and stored. Never store Jack Beams at the rear of the lift.
2. Ensure that the lift is fully lowered before attempting to load or unload a vehicle.
3. Ensure that locking pins are in the front turnplates and rear slip plates before driving a vehicle onto the lift.
4. Position the vehicle on the lift ensuring the resulting load on the deck is distributed as evenly as possible. Under no circumstances should a vehicle be lifted if the weight distribution is unbalanced by more than 10% on either side.
5. **ATTENTION: THE VEHICLE IS POSITIONED CORRECTLY WHEN THE DISTANCE FROM THE CENTER OF THE TIRES TO THE INSIDE EDGE IF THE RUNWAYS IS EQUAL ON BOTH RUNWAYS, FOR BOTH THE FRONT AND REAR TIRES.**
6. Chock the vehicle using the wheel chocks provided.
7. Check that there are no obstructions above the lift that could damage the lift or vehicles.
8. Raise the lift by pressing the up button on the control console. Raise the lift past the desired working height until both mechanical safeties are heard engaging. Press the down button to lower the lift down onto both of the mechanical safeties.



WARNING: NEVER WORK UNDER A VEHICLE OR THE LIFT UNLESS IT IS POSITIONED ON BOTH MECHANICAL SAFETIES!

5.2 Lowering the Lift

1. Check that there are no obstructions under the lift or vehicle. Be sure that the sliding Jack Beams are fully lowered and positioned at the front or mid section of the lift.
2. Raise the lift by pressing the up button until both runways are clear of their mechanical safety locks.
3. Press the air safety release button to release the mechanical safeties.
4. While holding the air safety release button, press the down button and lower the lift to the completely collapsed position.
5. Remove wheel chocks and ensure that locking pins are in the front turnplates and rear slip plates before driving a vehicle off the lift.

6. Be certain that the lift is completely lowered before removing the vehicle from the lift.

ATTENTION: THE OPERATOR MUST ALWAYS KEEP THEIR ATTENTION ON THE OPERATION OF THE LIFT WHILE RAISING OR LOWERING. IF AN OBSTRUCTION IS SEEN, RELEASE BOTH THE AIR SAFETY RELEASE BUTTON AND THE DOWN BUTTON TO STOP THE LIFT.

6.0 FINAL CHECK OF ASSEMBLED LIFT

1. Final dimension check after anchoring. _____
2. Check for hydraulic leaks. _____
3. Re-check level of decks, front to rear, side to side. _____
4. Check torque of anchor bolts. _____
5. Check all fasteners, tighten if necessary. _____
6. Operate lift to full stroke then lower to ground while checking for proper functionality. _____
7. Ensure Customer Care Kit is complete and given to operator. _____
 - a. Operation Manual _____
 - b. ANSI / ALI Lift It Right Manual _____
 - c. ANSI / ALI Safety Tip Card _____
 - d. ANSI / ALI ALIS Safety Requirements for Installation and Service of Automotive Lifts _____
 - e. ANSI / ALI Quick Reference Guide _____
8. Train end user on operation of lift. _____

7.0 OPERATION TEST WITH VEHICLE

1. Lower lift to ground.
2. Drive vehicle on to lift.
3. Raise lift to and lower onto 3-4 lock positions during full rise to ensure all locks are working correctly.
4. Check lowering speed and smooth decent rate.
5. Lower lift to ground and drive vehicle off lift.

If any problems occur during the final checkout or operation of the lift please contact customer service at 1-800-268-7959

8.0 RECOMMENDED MAINTENANCE

The following maintenance schedule is recommended for ensuring the operation of the lift. A record of maintenance performed should be maintained and any items that resulted in additional service should be noted.

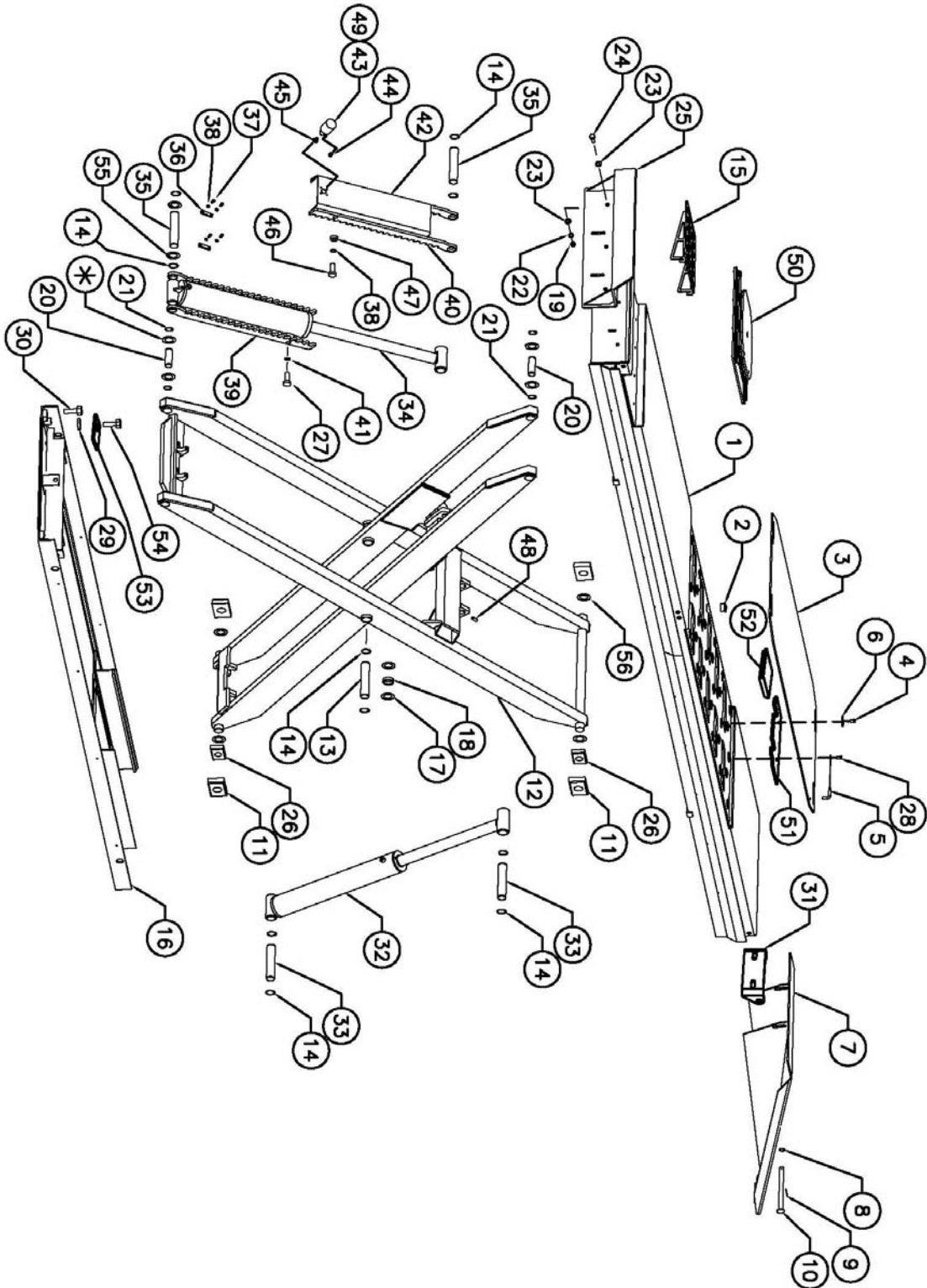
Schedule	Maintenance Required
Daily	<ul style="list-style-type: none">• Check that the upper and lower glide tracks are clean and free of debris. This area should be checked before raising or lowering the lift.• Inspect the operation of the lift by raising and lowering the lift fully.• Check for the proper engagement and release of mechanical safety locks.• Check hydraulic lines for leaks and fraying. Frayed hoses must be replaced immediately.
Weekly	<ul style="list-style-type: none">• Check the fluid level in the reservoir with the lift fully lowered. Top up reservoir with ISO 32 (10 weight) hydraulic oil as needed.
Monthly	<ul style="list-style-type: none">• Check anchor bolts for tightness. Torque to 55 ft-lbs if needed.• Inspect the electrical and mechanical operation of all switches.• Inspect runway stop fasteners.
5 Year	<ul style="list-style-type: none">• Change the hydraulic fluid every five years. Use only ISO 32 (10 weight) hydraulic oil.

10.0 SAFETY WARNING DECALS

<p>⚠ WARNING</p>  <p>Clear area if vehicle is in danger of falling.</p> <p>©</p>	<p>⚠ WARNING</p>  <p>Remain clear of lift when raising or lowering vehicle.</p> <p>©</p>	<p>SAFETY INSTRUCTIONS</p>  <p>Read operating and safety manuals before using lift.</p> <p>©</p>	<p>SAFETY INSTRUCTIONS</p>  <p>Proper maintenance and inspection is necessary for safe operation.</p> <p>©</p>
<p>⚠ WARNING</p>  <p>Keep clear of pinch points when lift is moving.</p> <p>©</p>	<p>⚠ WARNING</p>  <p>Keep feet clear of lift while lowering.</p> <p>©</p>	<p>SAFETY INSTRUCTIONS</p>  <p>Do not operate a damaged lift.</p> <p>©</p>	<p>The messages and pictographs shown are generic in nature and are meant to generally represent hazards common to all automotive lifts regardless of specific style.</p> <p>Funding for the development and validation of these labels was provided by the Automotive Lift Institute, PO Box 33116 Indialantic, FL 32903.</p> <p>They are protected by copyright. Set of labels may be obtained from ALI or its member companies.</p> <p>© 1992 by ALI, Inc. ALI/WL200s</p>
<p>⚠ WARNING</p>  <p>Do not override self-closing lift controls.</p> <p>©</p>	<p>⚠ WARNING</p>  <p>Chock wheel to prevent vehicle movement.</p> <p>©</p>	<p>⚠ CAUTION</p>  <p>Lift to be used by trained operator ONLY.</p> <p>©</p>	<p>⚠ CAUTION</p>  <p>Authorized personnel only in lift area.</p> <p>©</p>
<p>The messages and pictographs shown are generic in nature and are meant to generally represent hazards common to all automotive lifts regardless of specific style</p> <p>Funding for the development and validation of these labels was provided by the Automotive Lift Institute, PO Box 33116 Indialantic, FL 32903</p> <p>They are protected by copyright. Set of labels may be obtained from ALI or its member companies</p> <p>© 1992 by ALI, Inc. ALI/WL200w</p>		<p>The messages and pictographs shown are generic in nature and are meant to generally represent hazards common to all automotive lifts regardless of specific style</p> <p>Funding for the development and validation of these labels was provided by the Automotive Lift Institute, PO Box 33116 Indialantic, FL 32903</p> <p>They are protected by copyright. Set of labels may be obtained from ALI or its member companies</p> <p>© 1992 by ALI, Inc. ALI/WL200c</p>	

11.0 PARTS LIST

11.1 Lift Assembly

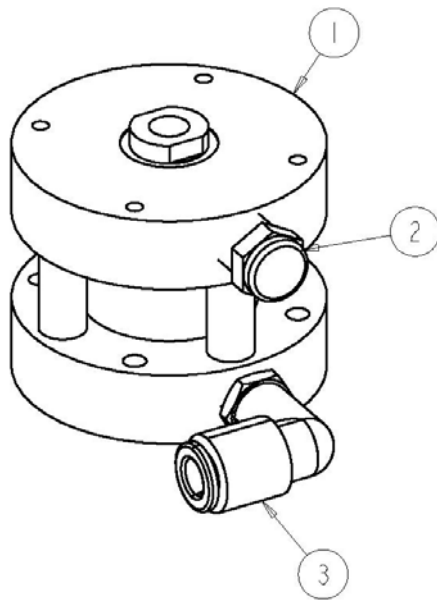


11.2 Lift Assembly Parts List

ITEM NO.	QTY.	DESCRIPTION	PART NO.
1	1	DECK WELDMENT RHS	4-1091
	1	DECK WELDMENT LHS	4-1090
2	54	BALL BEARING	6-2940
3	2	REAR SLIP PLATE	2-2088
4	8	SHOULDER BOLT 3/8" X 1.0" LG	6-0206
5	4	LOCKING PIN ASSEMBLY	2-0637
6	8	FLAT WASHER	6-0426
7	2	APPROACH RAMP ASSEMBLY	3-0905
8	4	WASHER 3/4" FLAT	6-0738
9	4	COTTER PIN, 1/8" DIAMETER X 1 1/2" LONG	6-0978
10	4	APPROACH RAMP PIN	1-1887
11	8	SLIDER BLOCK	1-2792
12	2	SCISSOR WELDMENT	4-1081
13	4	SCISSOR PIN	1-2791
14	24	SNAP RING #5100-150	6-0233
15	2	WORKSTEP WELDMENT	2-2119
16	2	BASE FRAME WELDMENT	3-0978
17	8	THRUST WASHER - NYLON 1/16" THICK	1-0757
18	4	SCISSOR SPACER	1-2795
19	12	HEXAGON NUT 1/2"-13UNC, ZINC PLATED	6-0035
20	8	HINGE PIN	1-2788
21	16	SNAP RING #5100-125	6-0340
22	12	LOCK WASHER 1/2"	6-0059
23	24	FLAT WASHER 1/2"	6-0063
24	12	HEX BOLT 1/2"-NC X 1 1/2" LONG	6-0291
25	2	WHEELSTOP WELDMENT	2-2117
26	8	SLIDER BLOCK ASSEMBLY	1-3047
27	4	HEX BOLT, 3/4"-NF x 1 1/2" LG	6-2936
28	4	SELF TAPPING SCREW, #10 x 1/2" LG	6-0505
29	16	HEX JAM NUT, 3/4"-NF	80259000
30	10	HEX BOLT, 5/8"-NC x 2" LG	6-1670
31	2	ADAPTER PLATE	1-3159
32	2	CYLINDER ASSEMBLY, SECONDARY	3-0897
33	4	CYLINDER PIN, SECONDARY	1-2790
34	2	CYLINDER ASSEMBLY, PRIMARY	3-0896
35	4	CYLINDER PIN, PRIMARY	1-2789
36	8	CYLINDER RETAINER	1-2793
37	16	HEX BOLT, 3/8"-NC x 1" LG	6-0067
38	32	LOCKWASHER, 3/8"	6-0058
39	4	SAFETY BAR, BOTTOM	2-2111
40	4	SAFETY BAR, TOP	2-2112
41	4	LOCKWASHER, 3/4"	6-0259
42	2	SAFETY COVER	2-2183
43	2	AIR CYLINDER ASSY (* See below for individual parts)	3-0812
44	2	ROD END, CYLINDER	2-1733
45	8	PHILIPS SCREW, #6-32 x 3/4" LG	6-2281

46	16	HEX BOLT, 3/8"-NC x 1 1/4" LG	6-0666
47	16	HEX NUT, 3/8"-NC	6-0034
48	8	SET SCREW, 3/8"-NC x 1" LG	6-3061
49	2	BREATHER, 1/8" NPT	6-0183
50	2	STAINLESS STEEL TURNPLATE ASSEMBLY (OPTIONAL)	4-1101
51	4	SLIDER PLATE	1-3033
52	16	SLIDER PLATE INSERT	1-3032
53	2	PROXY PLATE 14K SCISSOR	1-3035
54	8	HEX HD GR 3/4"-16UNF 2 3/4" PTHD	6-3569
55	8	SPACER SAFETY LOCKS	1-2905
56	8	THRUST WASHER	1-3171
* 1	1	HINGE SPACER KIT - 1/8" & 1/16" (16/PKG)	0-1506

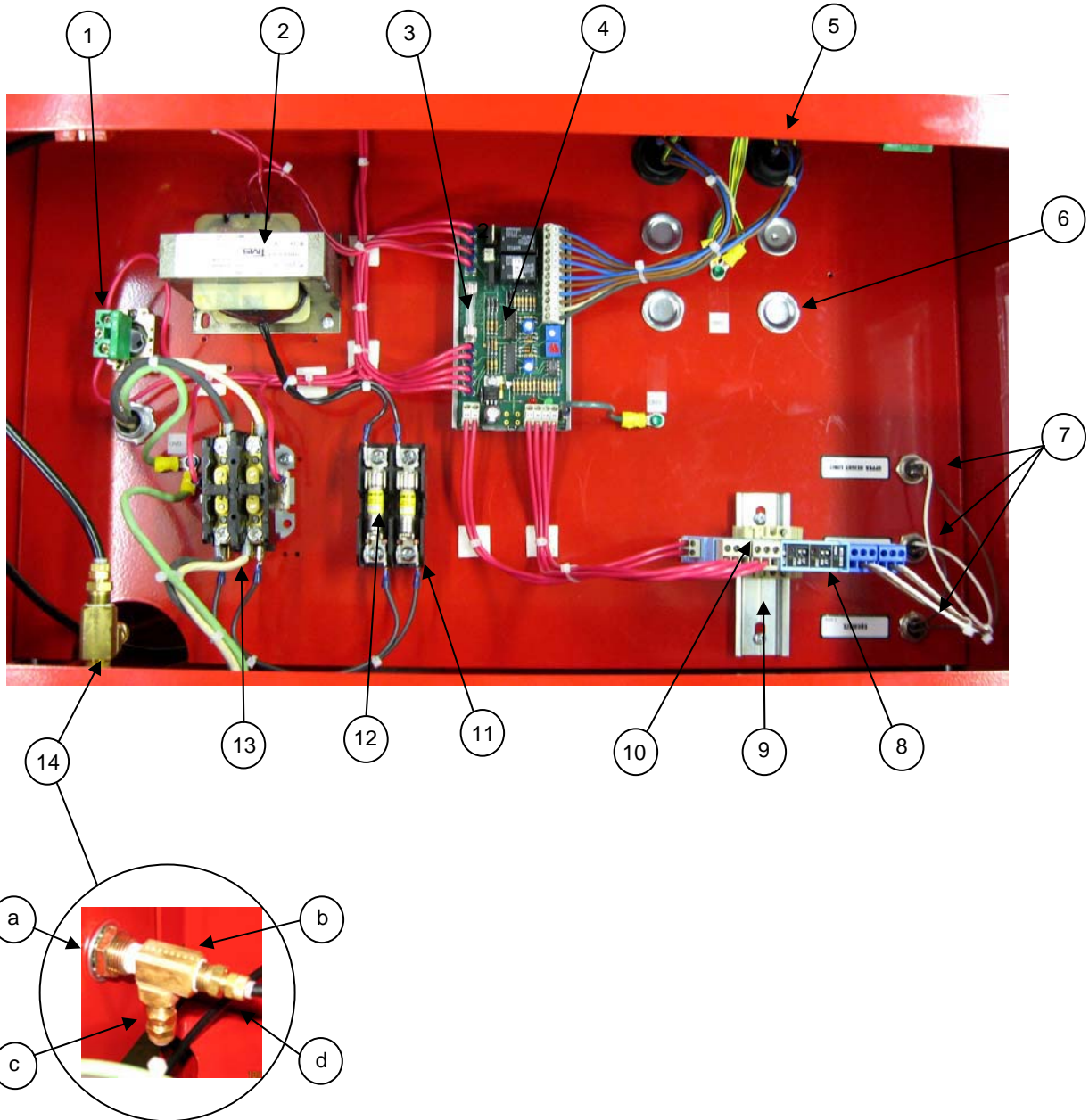
* 3-0812 Air Cylinder Assembly



1	1	AIR CYLINDER	6-3722
2	1	BREATHER VENT / EXHAUST MUFFLER	6-0183
3	1	90 DEG. FITTING 1/4" POLY - 1/8" NPT	6-0709

11.3 Console Assembly

Electrical Panel



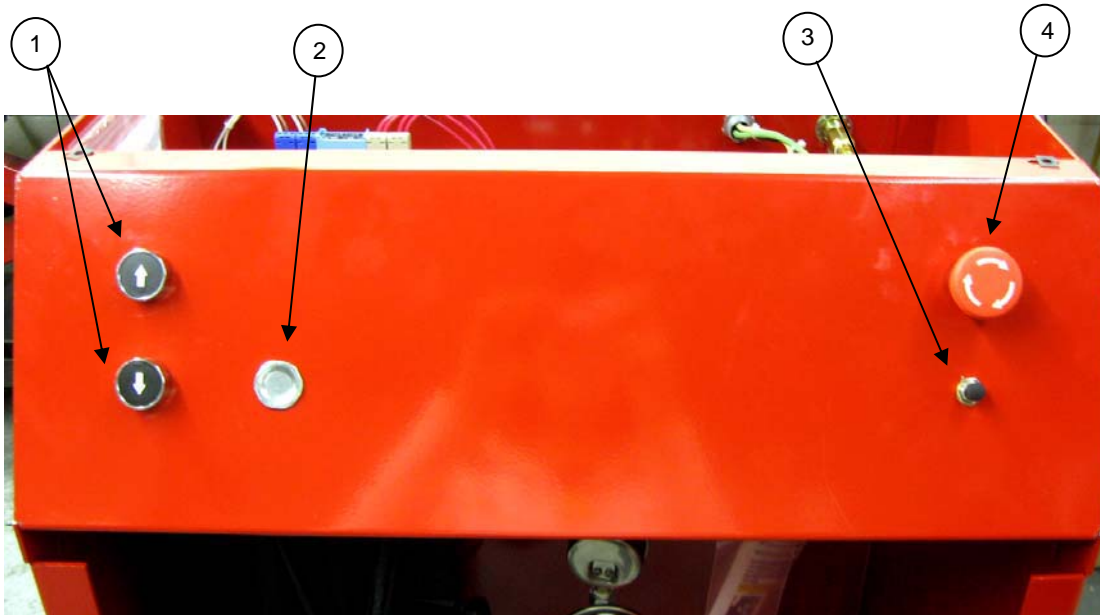
Item#	Part#	Description	Qty.
1	—	Push Button Assembly	1
	6-1247	Push Button	1
	6-1248	Push Button Contact NO	1
2	6-2126	Transformer 230V Primary	1
3	—	Fuse 5A	1
4	6-3280	Circuit Board	1
5	—	Strain Relief Assembly	2
	6-3559	Plastic Strain Relief	1
	6-3560	Locknut ¾"	1
	6-3561	Multiple Hole Bushing	1
6	6-2314	Plastic Plug	4
7	6-2964	Microphone Connector Plug	3
8	6-2962	Barrier	1
9	6-3480	Din Rail	1
10	6-3190	End Stop	2
11	6-3266	Fuse Holder – 2 Pole open style	1
12	6-3303	Fuse 1A, Class CC	2
13	6-3406	Contactor	1
14	—	Air Supply Assembly	1
	a 6-0713	Terminal Bolt ¾" Short	1
	b 6-0014	¼" NPT Tee	1
	c 6-0710	3/8" Polytube x ¼" NPT Adapter	1
	d 6-1347	¼" Polytube x ¼" NPT Adapter	2

NOTE: Console Assembly is Part # 3-0901

* Used on Flush mount models only

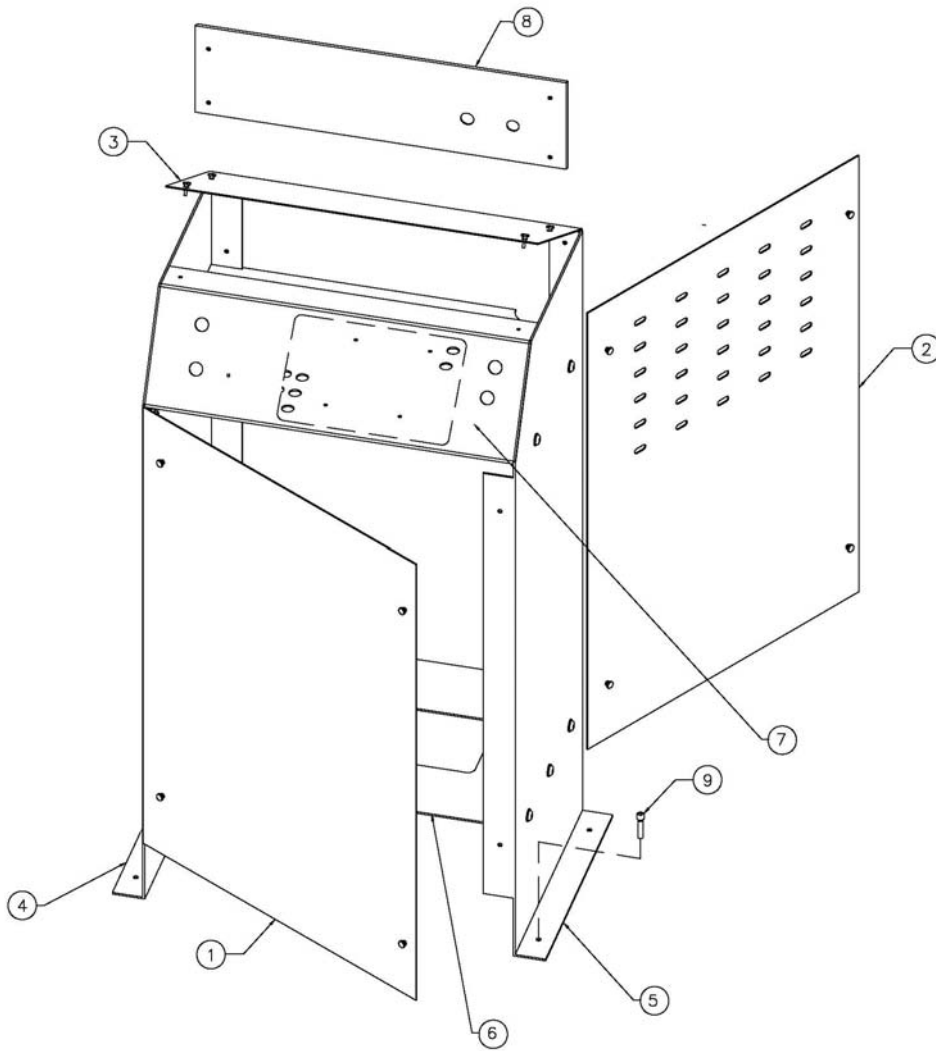
***When converting a 1 PH unit to a 3PH unit order all 3PH components marked.

Control Panel



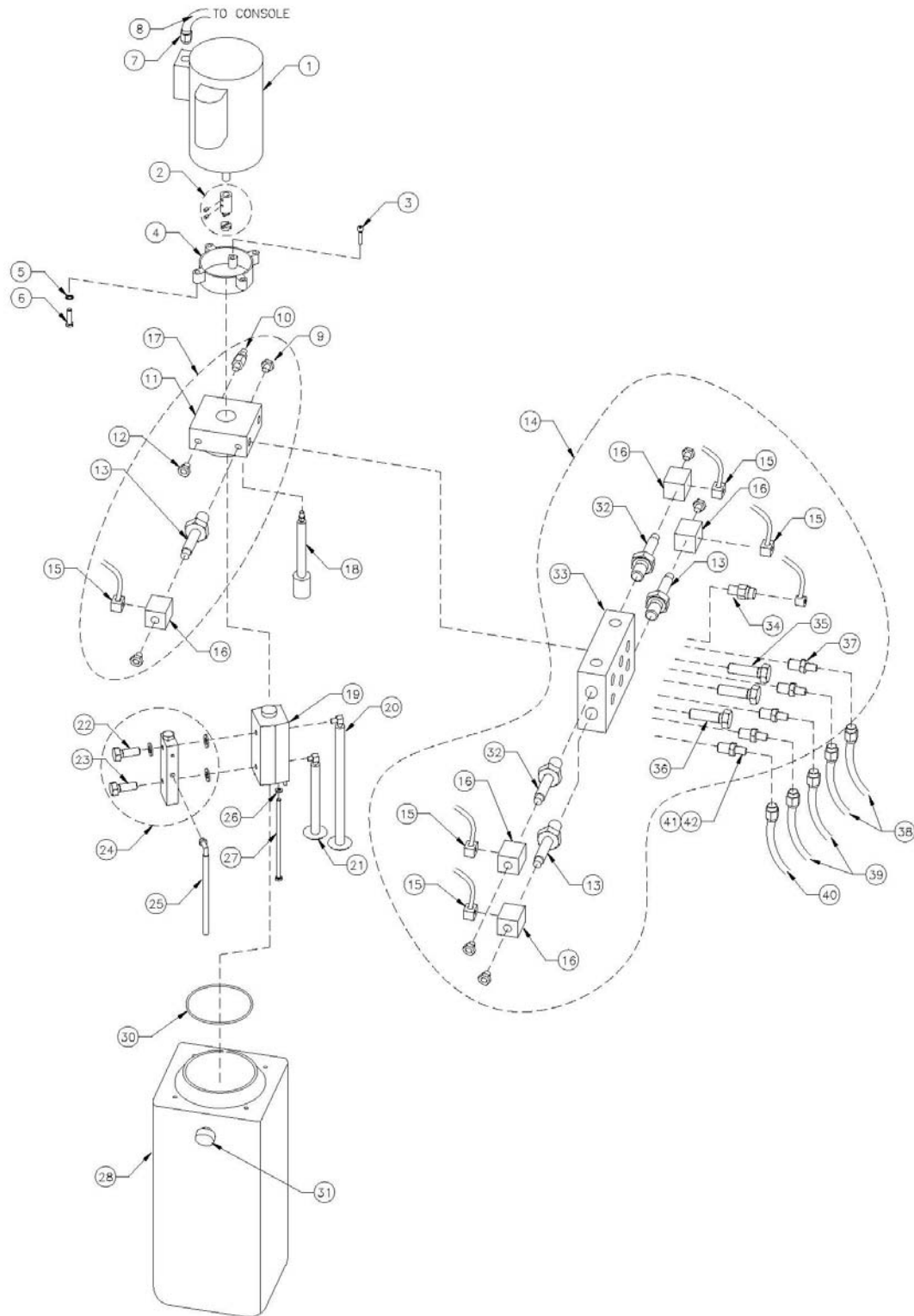
Item#	Part#	Description	Qty.
1	—	Push Button Assembly	2
	6-1247	Push Button - Arrow	1
	6-1248	Push Button Contact NO	1
2	6-2314	Plastic Plug	1
3	—	Air Valve Assembly	1
	6-1055	Air Safety Release Valve	1
	6-0709	90° Elbow	1
	6-0708	¼" Polytube x 1/8" M NPT Adapter	1
4	—	Emergency Stop Button Assembly	1
	6-2921	Emergency Stop Push Button	1
	6-2922	Emergency Stop Contact NC	1

Console Housing



Item#	Part#	Description	Qty.
1	2-2126	Console Front Cover	1
2	2-2127	Console Rear Cover	1
3	2-2128	Console Top Cover	1
4	2-2122	LH Side Cover	1
5	2-2125	RH Side Cover	1
6	2-2123	Bottom Power Pack Step	1
7	2-2124	Electrical Housing	1
8	3-0900	Electrical Back Panel	1
9	6-0141	Concrete Nail 1/4" x 1" Lg.	4

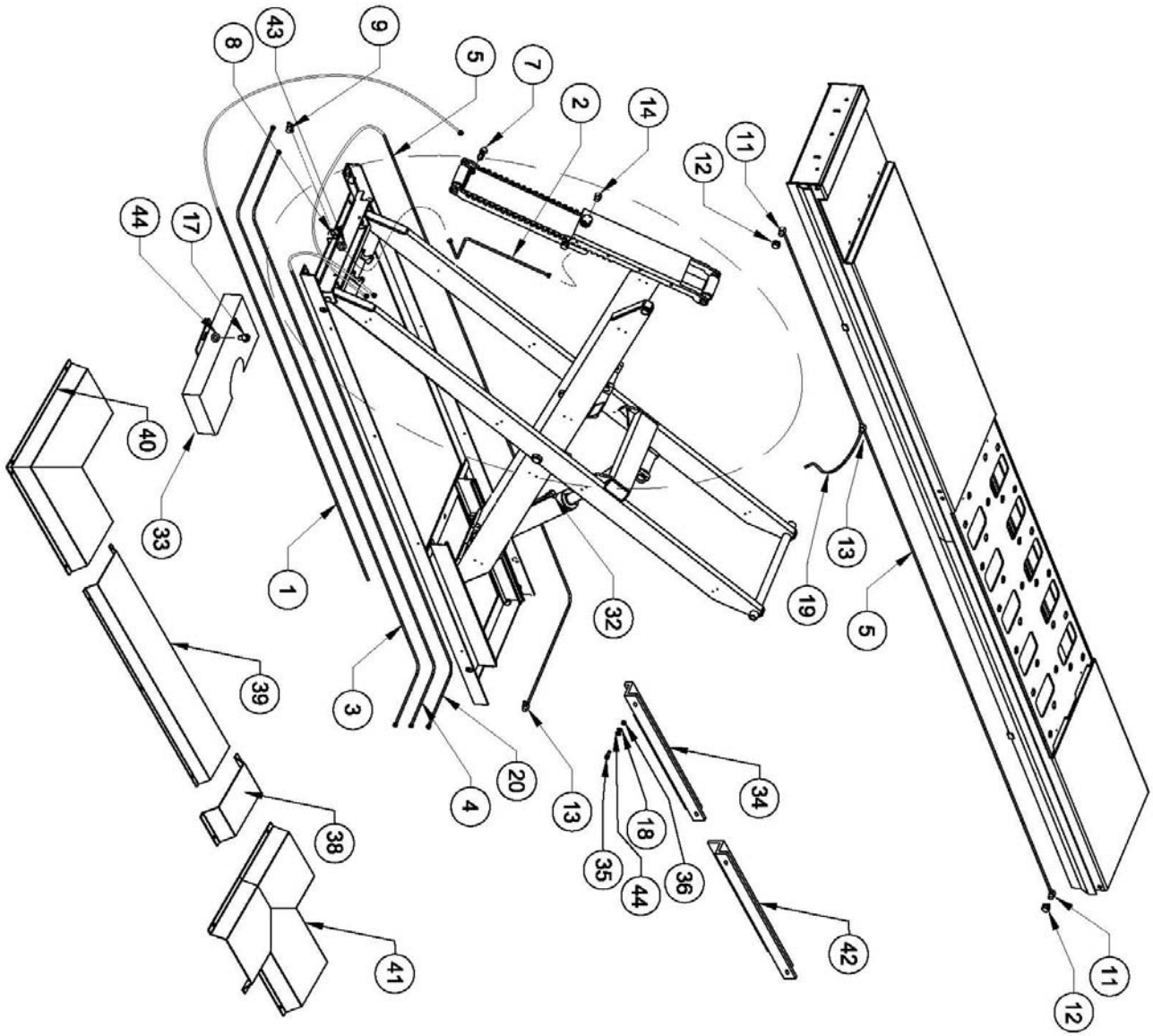
11.4 Powerpack Assembly

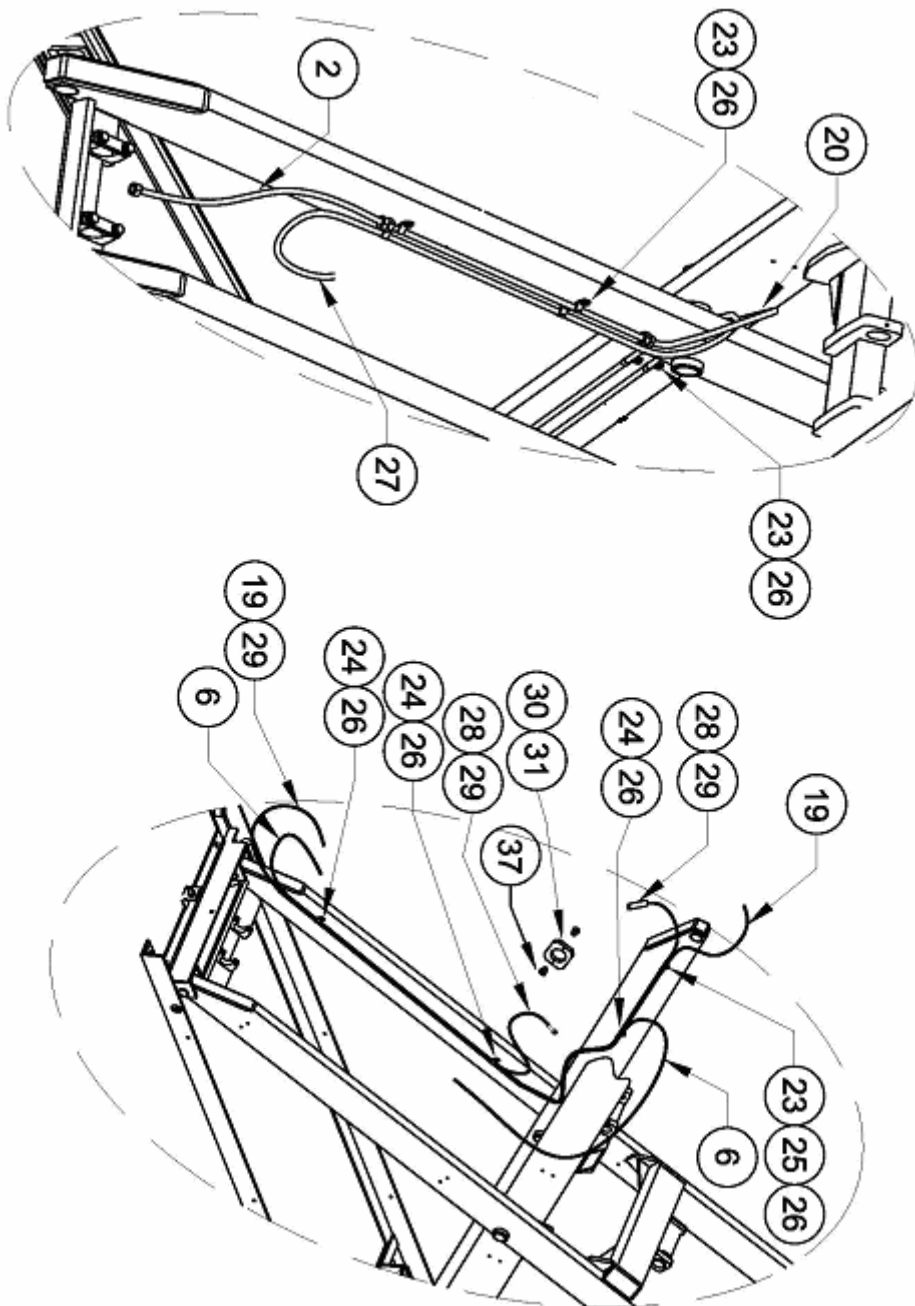


11.5 Powerpack Parts List

ITEM NO.	QTY.	DESCRIPTION	PART NO.
1	1	MOTOR, 220V (1 PHASE)	6-0087
	1	MOTOR, 220V (3 PHASE)	6-0446
	1	MOTOR, 575V (3 PHASE)	6-0447
2	1	MOTOR COUPLER	6-2537
3	2	CAP SCREW, M6x20	6-2984
4	1	BELLHOUSING	6-2507
5	4	LOCKWASHER, INTERNAL TOOTH, 3/8"	6-2547
6	4	CAP SCREW, HEX HEAD, 3/8"-16UNC x 1 1/2" LG	6-2558
7	1	1/2" STRAIN RELIEF CONNECTOR (1 PHASE)	6-1370
	1	1/2" STRAIN RELIEF CONNECTOR (3 PHASE)	6-0094
9	1	CHECK VALVE	6-2985
10	1	RELIEF VALVE (4500 PSI)	6-2986
11	1	MAIN BODY	6-2987
12	1	FLOW CONTROL	6-2988
13	3	SPOOL VALVE (C/W MANUAL OVERRIDE)	6-2129
14	1	MANIFOLD ASSEMBLY	6-3002
15	5	DIN CONNECTOR (24V)	6-2236
16	5	SQUARE COIL (24V)	6-2128
17	1	MAINBODY ASSEMBLY	6-2989
18	1	RETURN FILTER ASSEMBLY	6-2990
19	1	TANDEM PUMP	6-2991
20	1	LONG INLET STRAINER ASSEMBLY	6-3631
21	1	SHORT INLET STRAINER ASSEMBLY	6-3632
22	1	BANJO BOLT (INCLUDES 2 WASHER SEALS)	6-2525
23	1	BANJO BOLT (INCLUDES 2 "O"-RINGS AND 1	6-2526
24	1	UNLOADING MANIFOLD ASSEMBLY	6-2555
25	1	RETURN TUBE ASSEMBLY	6-3633
26	4	LOCKWASHER, 5/16"	6-0674
27	2	CAP SCREW, HEX HEAD, 5/16"-18UNC x 6 1/2" LG	6-2533
28	1	OIL TANK 15L	6-3638
30	1	OIL TANK ORING	6-2996
31	1	FILLER / BREATHER CAP	6-3223
32	2	SPOOL VALVE (RESQUARE)	6-3403
33	1	MANIFOLD	6-2998
34	1	PRESSURE SWITCH (INCLUDES BONDED SEAL)	6-2548
35	2	BOLT, M8x65	6-2999
36	1	BOLT, M6x65	6-3000
37	4	ADAPTER SAE#6 TO 3/8" JIC	6-3001
38	2	PRIMARY HYDRAULIC HOSE	2-2143
39	2	EQUALIZING HYDRAULIC HOSE	2-2177
40	2	3/8" POLYTUBE RETURN LINES	6-3082
42	1	90 DEG ELBOW 3/8" NPT TO 3/8" POLYUBE	6-3058
***NOTE		PUMP ASSY. INCLUDING MANIFOLD ASSY.	6-2957

11.6 Hydraulic & Air Assembly





11.7 Line Routing Parts List

ITEM	QTY	DESCRIPTION	PART #
1	2	3/8" HYDRAULIC HOSE – PRIMARY	2-2143
2	2	3/8" HYDRAULIC HOSE – SHORT (PRIMARY)	2-2145
3	2	3/8" HYDRAULIC HOSE – EQUALIZE	2-2177
4	2	3/8" HYDRAULIC HOSE – CROSSOVER	2-2148
5	1	3/8" POLYTUBE, 215" LG	6-3009
6	1	¼" AIR HOSE, 350" LG	6-3020
7	2	VELOCITY FUSE	6-2956
8	2	ELBOW BULKHEAD 90 DEG WITH JAM NUT	6-0012
9	2	TEE 3/8" F JIC, SWIVEL 3/8" MALE JIC	6-0284
10	2	90 DEG ELBOW, 3/8" JIC-M, 3/8" JIC-F	6-0813
11	2	90 DEG ELBOW, ¼" NPT-M, 3/8" POLYTUBE	6-3010
12	2	TERMINAL BOLT, ¾"	6-0167
13	2	TEE FITTING, 3/8" POLYTUBE	6-3011
14	2	90 DEG ELBOW, 1/8" NPT, ¼" POLYTUBE	6-0709
15	1	TEE FITTING, ¼" POLYTUBE	6-2971
16	2	FRONT COVER	2-2185
17	6	HEX BOLT, ¼" NC x ¾" LG	6-0178
18	14	LOCKWASHER, ¼"	6-0056
19	1	3/8" POLYTUBE, 480" LG	6-3019
20	2	3/8" HYDRAULIC HOSE 283" LG FEMALE ENDS	2-2336
23	17	PIPE CLAMP, 3/8"	6-0170
24	5	PIPE CLAMP, ½"	6-0536
25	2	PIPE CLAMP, ¼"	6-3059
26	24	SELF THREADING SCREW	6-1134
27	2	POLYTUBE RETURN LINE 3/8" - 400" LG	6-3082
**28	3	PROXIMITY SENSOR	6-2960
**29	3	PROXIMITY SENSOR CABLE	6-2961
30	1	SENSOR CAM CLAMP (HALF 1)	1-2944
31	1	SENSOR CAM CLAMP (HALF 2)	1-2945
32	2	90 DEG ELBOW, 3/8" NPT-M, 3/8" POLYTUBE	6-3058
33	2	FRONT COVER	2-2185
34	3	BASEFRAME LINE COVER RS	2-2299
35	12	HEX HD BOLT ¼"	6-0008
36	12	NUT PL ¼"	6-0032
37	2	HEX SOCKET CAP SCREW #10-24 UNC x 1" LG	6-3096
38	3	SHORT LINE COVER	1-2799
39	3	REAR LINE COVER	1-2800
40	2	LINE COVER ELBOW	1-2806
41	2	LINE COVER TEE	1-2807
42	3	BASEFRAME LINE COVER LS	2-2301
43	2	WASHER FLAT ½" ID	6-0063
44	15	WASHER FLAT ¼" SAE	6-0060

** Use for Flush Mount models. For Surface Mount models, proximity sensor and cable are one part [6-3198].